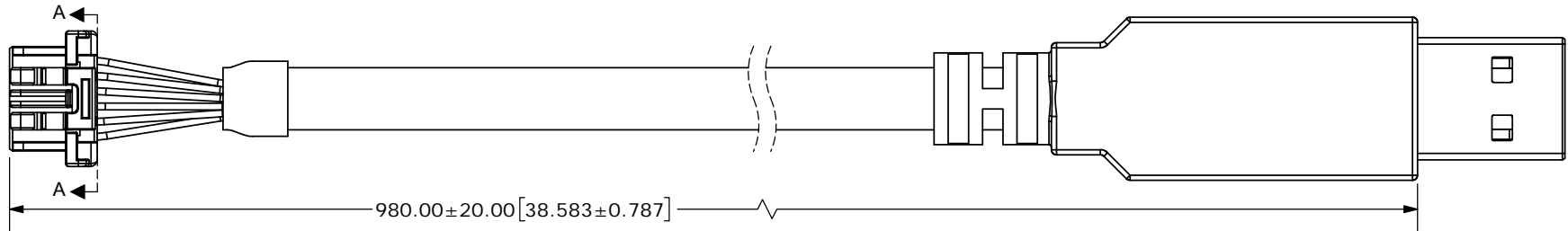
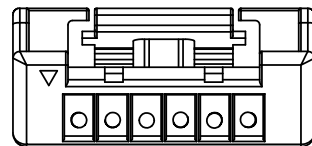


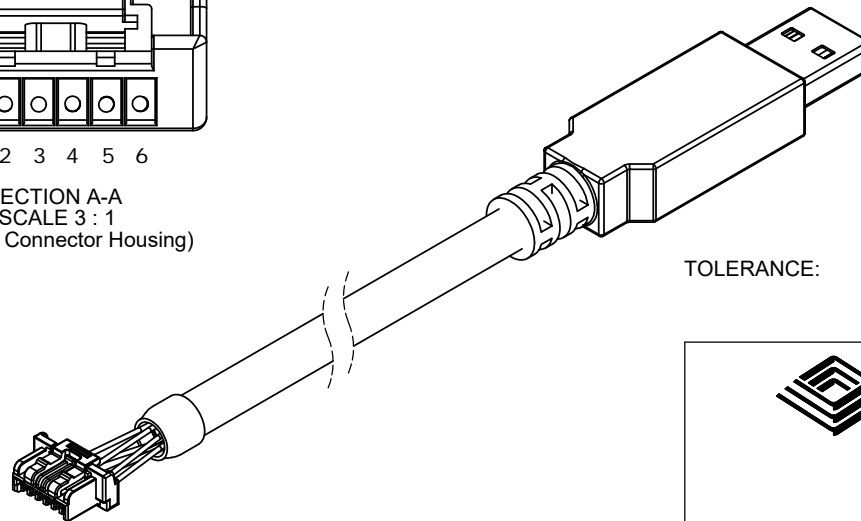
REV.	DESCRIPTION	DATE
A	NEW DRAWING	08/17/2017



Connector Pinout		
#	Function	Color
1	+5 V	Red
2	RX_ENC+	Orange
3	TX_ENC+	Yellow
4	TBIT	Black
5	GND	White
6	MCLR B	Green



1 2 3 4 5 6  
SECTION A-A  
SCALE 3 : 1  
(Back of Connector Housing)



TOLERANCE:



20050 SW 112th Ave.  
Tualatin, OR 97062  
Phone: 503-612-2300  
800-275-4899  
Fax: 503-612-2383  
Website: www.cui.com

ITEM NO:	977-7148R	REV:	A
PART NO.	AMT-06C-1-036-USB	UNITS:	MM [INCH]
DRAWN BY:	RDS	APPROVED BY:	SCALE: