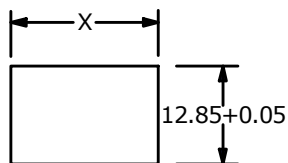


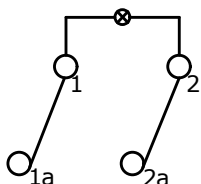
▲ INCANDESCENT

PARAMETERS	SYMBOL	MAX.	UNITS
LAMP VOLTAGE(AC)	V	12	V
POWER DISIPATION	P <sub>D</sub>	2	WATTS
CURRENT	I	50	mA



RECOMMENDED PANEL MOUNTING

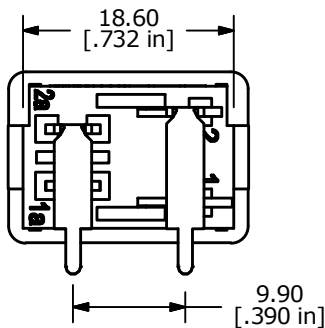
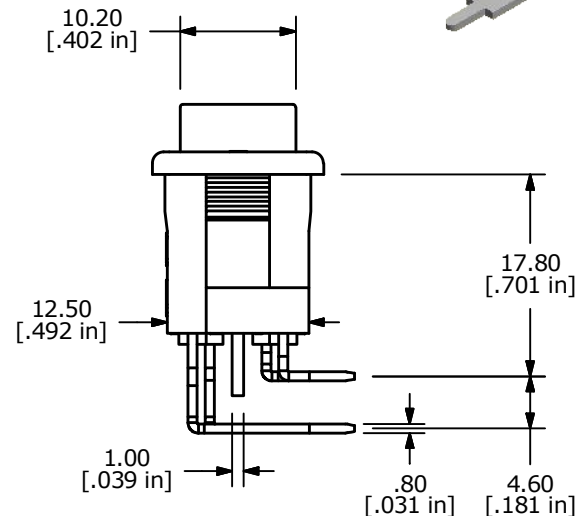
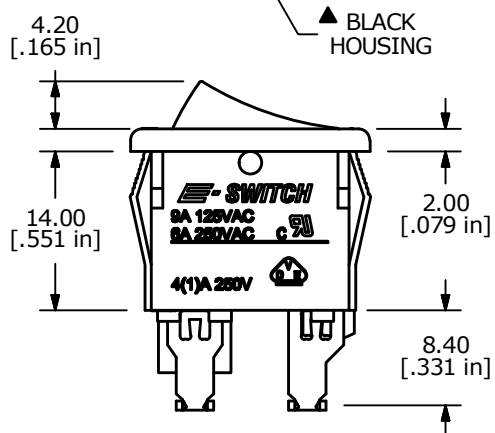
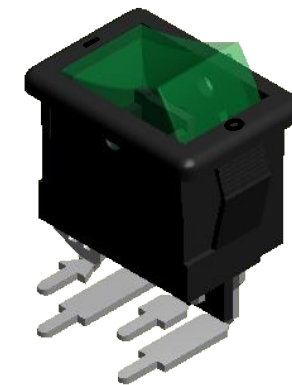
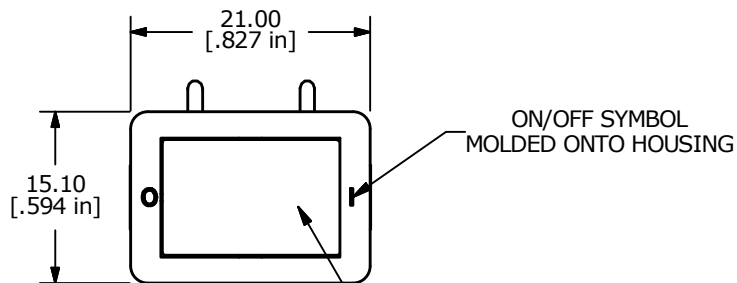
PANEL THICKNESS	X
0.75-1.25	19.2-19.3
1.25-2.00	19.3-19.4
2.00-3.00	19.5-19.6



CIRCUIT: DPST

NOTES:

- ALL DIMENSIONS IN MM [INCH]
- GENERAL TOLERANCE: X.X=±0.4  
X.XX=±0.25
- RATING: 6A @250VAC [cURus]  
9A @125VAC [cURus]  
4(1)A @250VAC [VDE]
- LAMP VOLTAGE: 12V DC (INCANDESCENT BULB)
- MATERIAL:  
CONTACT SURFACE: COIN SILVER, SILVER PLATE  
TERMINAL: COPPER ALLOY W/SILVER PLATE.
- CONTACT RESISTANCE: 20 mILLI-OHMS TYP. INITIAL
- INSULATION RESISTANCE: 1000 MEGA-OHMS
- DIELECTRIC STRENGTH:  
>1500V RMS min. @SEA LEVEL
- MECHANICAL LIFE: 30,000 CYCLES.
- ELECTRICAL LIFE: 10,000 CYCLES
- ▲ DENOTES CRITICAL PARAMETER.
- 2011/65/EU (ROHS) COMPLIANT



B	23190	UPDATED TERMINAL REPRESENTATION	1/29/18	MJR
A	20539	RELEASE FOR PRODUCTION	3/22/12	MM
REV	PCR NO	DESCRIPTION	DATE	BY

TITLE R1973BBLKGILEL3				
SCALE 3:2	DATE 3/22/2012	DR PH	DWG M400102	REV B

THE INFORMATION CONTAINED IN THIS DOCUMENT IS PROPRIETARY TO E-SWITCH AND IS NOT TO BE COPIED OR TRANSFERRED