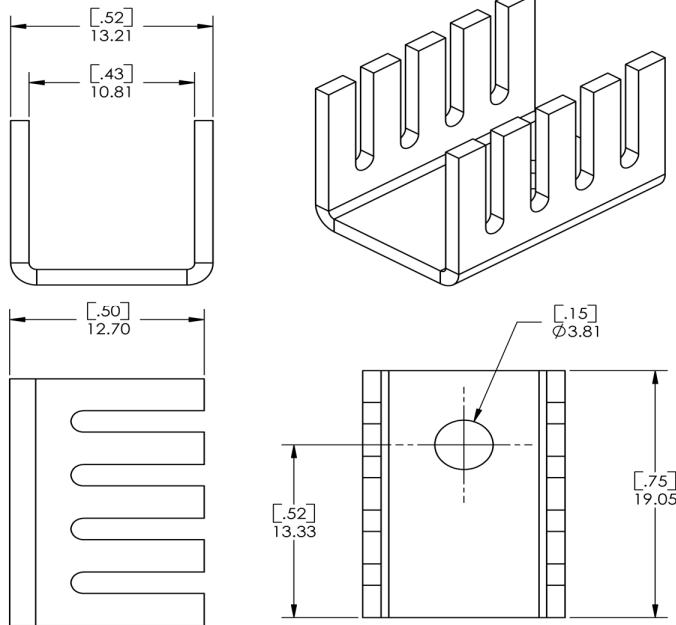
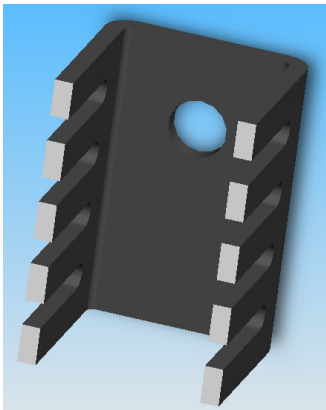


Board Level Heat Sinks



ThermaFlo

P/N: 821202B00000



PRODUCT SPECIFICATIONS —

- Devices: TO-220
- Size: 12.7 x 13.2 x 19.1mm
- Material: Aluminum, 1.2 mm Thick
- Weight: 1.9 grams
- Type: Stamped
- PCB Mounting: Device Leads
- Finish: Black Anodized
- Package: Bulk
- Accessories: Hardware & Thermal Interface Material

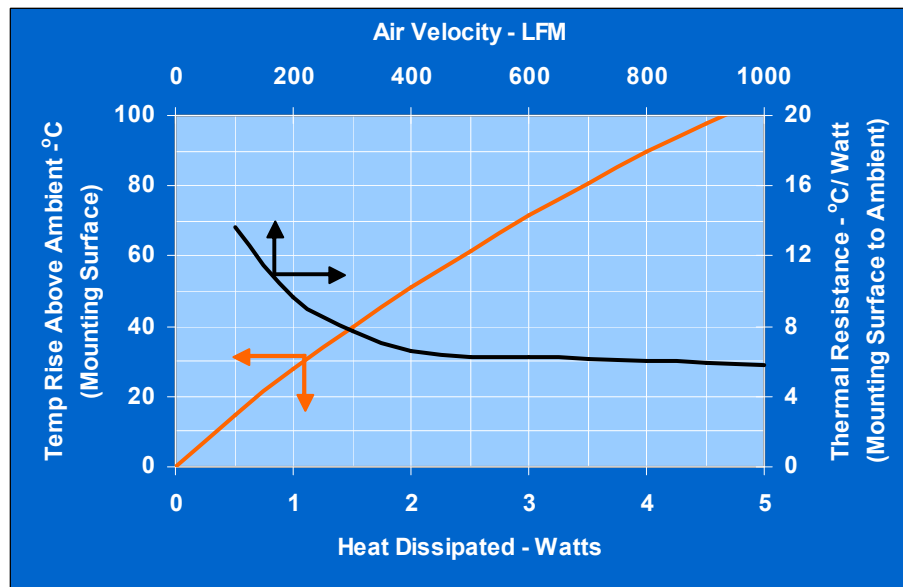
FEATURES & BENEFITS —

- Hole for Device Attachment
- RoHS Compliant



CUSTOMIZED HEATSINKS —

- Specialized Tabs, Plating
- Specialized Body Configurations
- Contact Applications Engineering



TO-220

COMAIR ROTRON, INC

8929 Terman Court, San Diego, CA 92121
 Ph (858) 348-6200 Fax (858) 566-4577
 E-mail: sales@comairrotron.com,
 Web: www.comairrotron.com