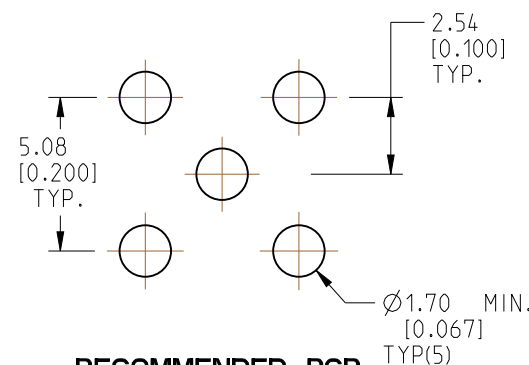


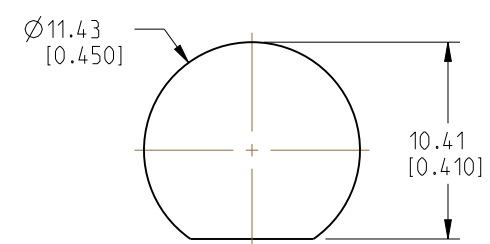
NOTES:

1. MATERIALS AND FINISHES:
 BODY, HEX NUT, LOCKWASHER & CAP - BRASS, TIN-NICKEL ALLOY PLATING
 CONTACT - BeCu, GOLD PLATING
 INSULATORS - PTFE, NATURAL
 O-RINGS - SILICONE RUBBER, RED
2. ELECTRICAL:
 A. IMPEDANCE: 50 OHM
 B. FREQUENCY RANGE: DC - 3 GHz
 C. VSWR: 1.30 MAX.
3. MECHANICAL:
 A. TEMPERATURE RANGE: -65° C TO +165° C
 B. SEALING REQUIREMENTS: DESIGN WHEN MOUNTED ON PANEL MUST WITHSTAND WATER PRESSURE AT DEPTH OF 1 METER FOR 30 MIN. WITHOUT ANY SIGN OF LEAKAGE
 C. DESIGN NOT SUITABLE FOR REFLOW
 D. SALT SPRAY PER MIL-STD-202, METHOD 101, WITH FOLLOWING PARAMETERS:
 1) TEST CONDITION B
 2) 5% SALT SOLUTION
 3) CYCLE REPEATED TO 720 HOURS
4. PACKAGING:
 A. QUANTITY: SINGLE PACK
 B. MARKING: PACKAGING TO BE MARKED "AMPHENOL RF, 901-10385-EE AND DATE CODE"

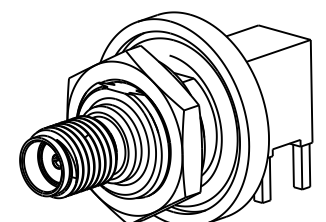
REVISIONS				
REV	DESCRIPTION	DATE	ECN	BY
A	RELEASE TO MFG.	25-AUG-22	16367	DK



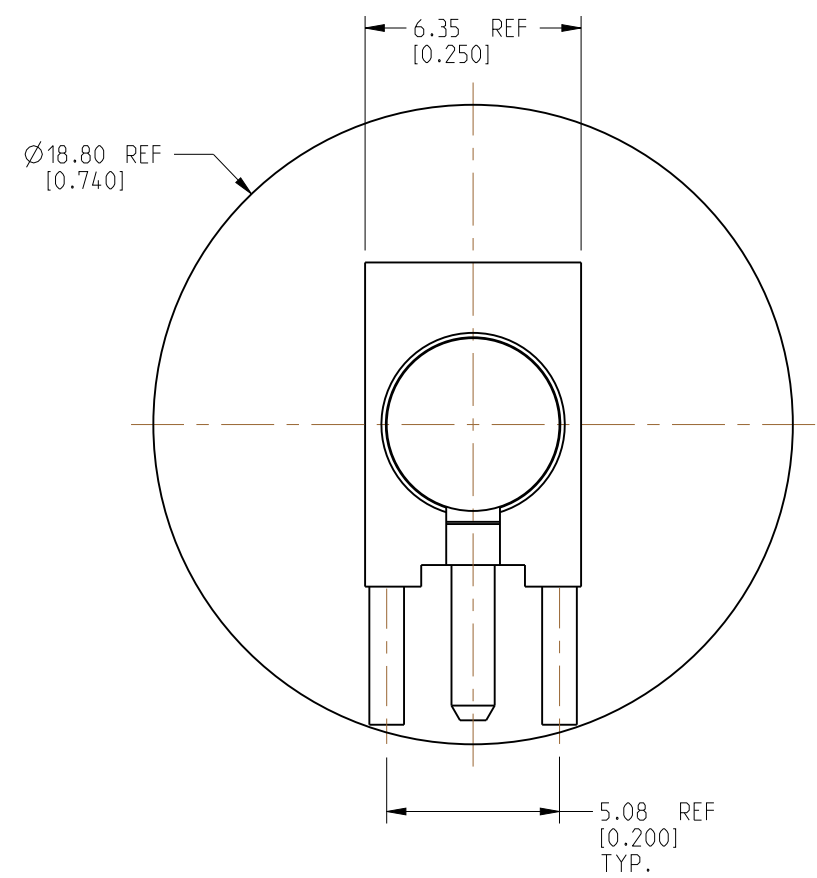
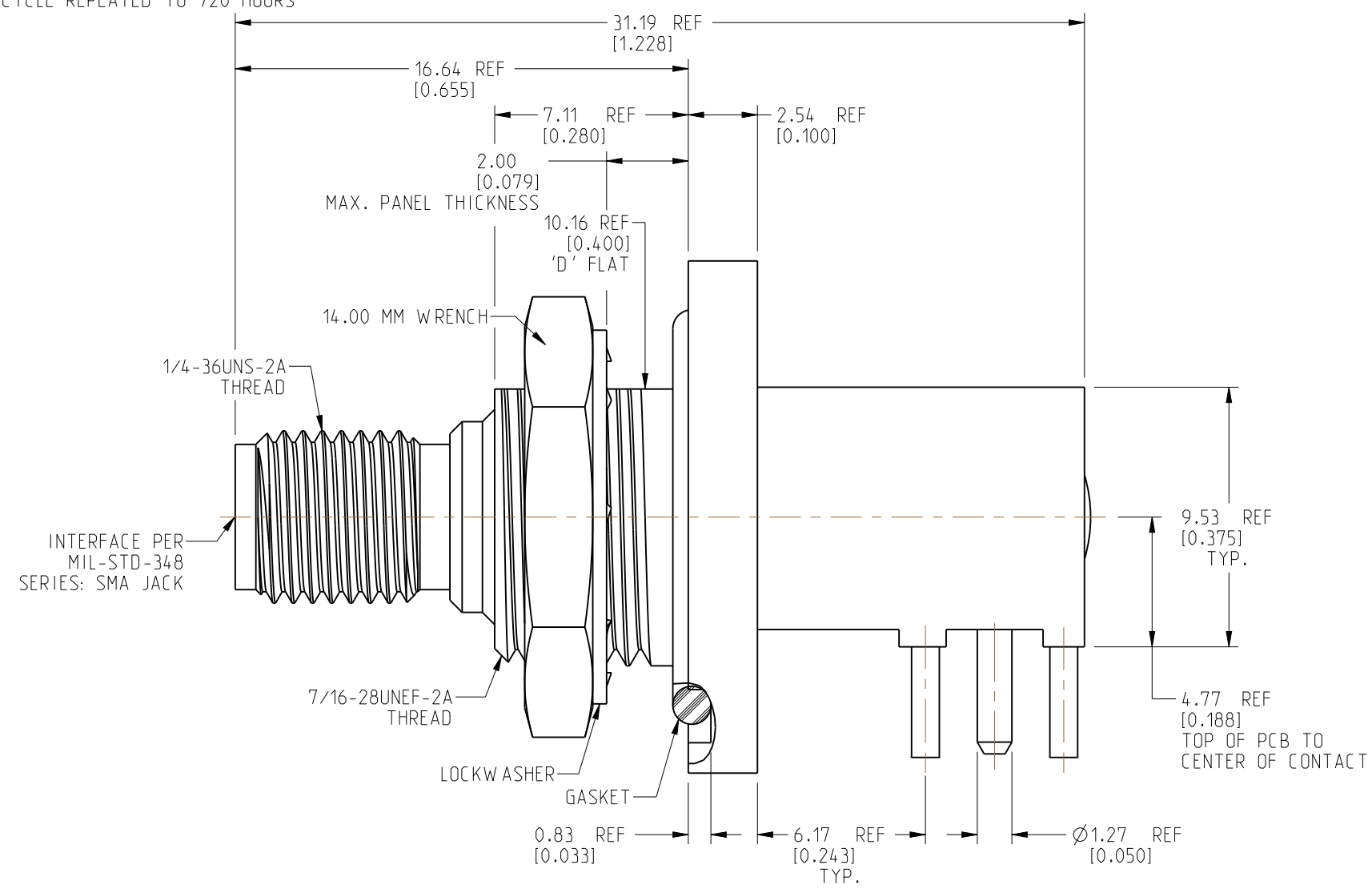
RECOMMENDED PCB HOLE DIMENSIONS



RECOMMENDED MOUNTING HOLE DIMENSIONS



SCALE 1.500



CUSTOMER OUTLINE DRAWING
 ALL OTHER SHEETS ARE FOR INTERNAL USE ONLY

NOTICE: These drawings, specifications, or other data (1) are, and remain the property of Amphenol corp. (2) must be returned upon request; and (3) are confidential and not to be disclosed to any person other than those to whom they are given by Amphenol Corp. The furnishing of these drawings, specifications, or other data by Amphenol Corp., or to any other person to anyone for any purpose is not to be regarded by implication or otherwise in any manner licensing, granting rights to permitting such holder or any other person to manufacture, use or sell any product, process or design, patented or otherwise, that may in any way be related to or disclosed by said drawings, specifications, or other data.		UNLESS OTHERWISE SPECIFIED DIMENSIONS ARE METRIC (INCHES) AND TOLERANCES ARE: <0.5mm = ±0.05mm [-0.020 = ±0.002] 0.5 - 6mm = ±0.1mm [-0.020 - 0.236 = ±0.004] >6.00 - 30mm = ±0.2mm [-0.236 - 1.181 = ±0.008] >30.00 - 120mm = ±0.3mm [-1.181 - 4.725 = ±0.012]		MATERIAL SEE NOTES		TITLE SMA RA BHD JACK IP 67 PCB MOUNT EXTREME EXPOSURE		Amphenol RF	
THIRD ANGLE PROJ.		REFERENCE 901-10385		EAR# 11375		ANGLES = ±1°		ENGR.1 D INESH A	
ENGR.2		DATE 27-JUN-22		SHEET NO. 2 OF 2		SCALE: 6.3:1.0		DRAWING NO. 901-10385-EE ITEM NO. 901-10385-EE PART NO. 901-10385-EE	