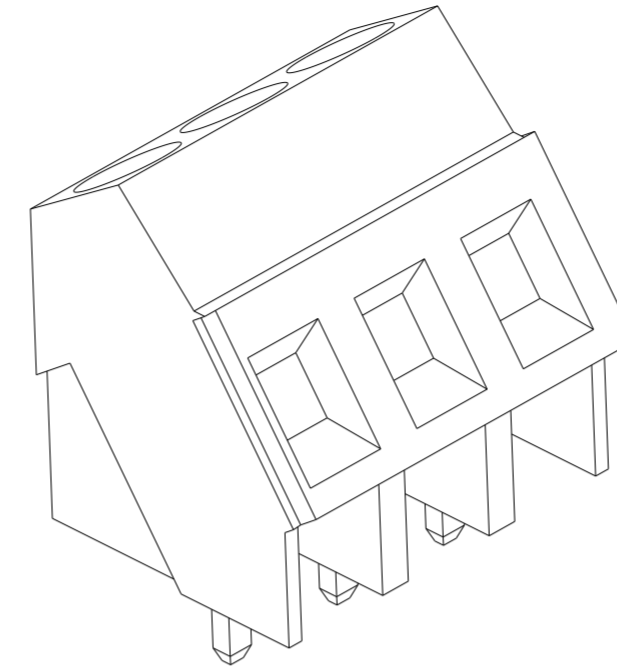
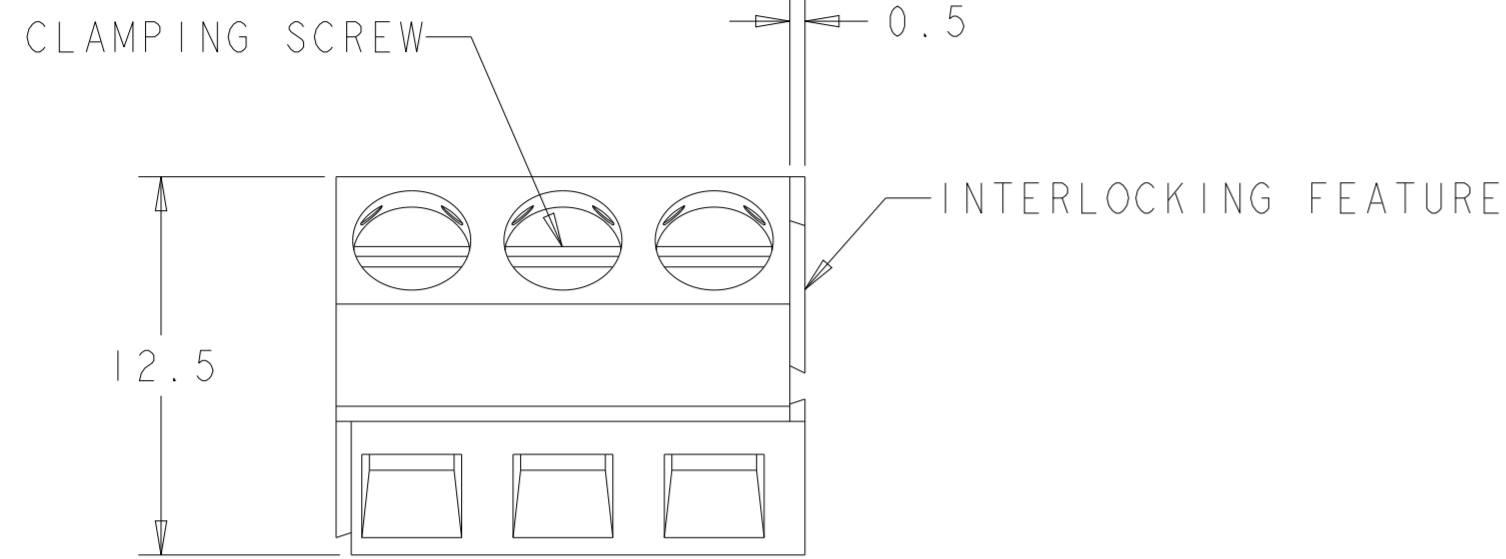
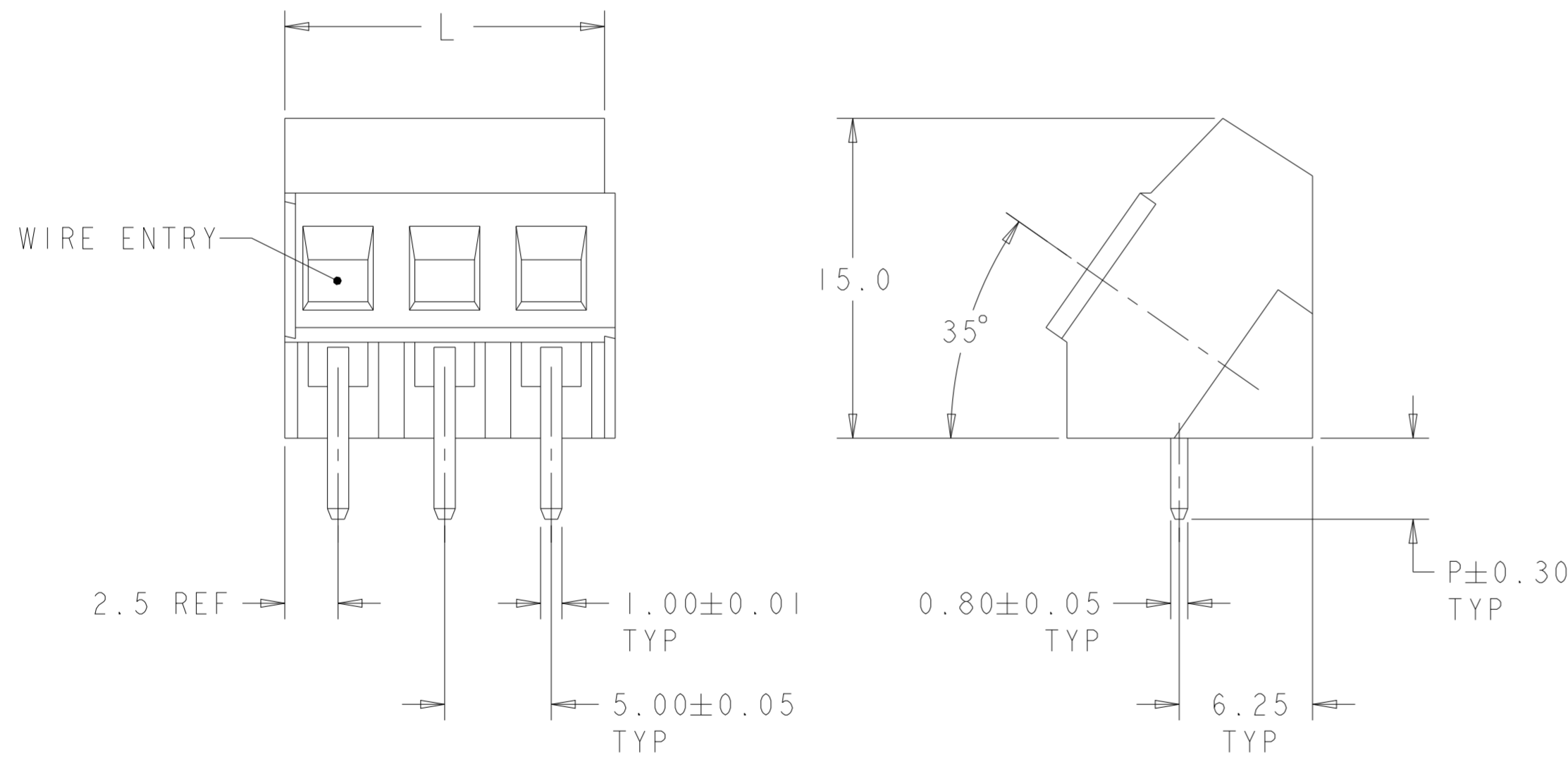


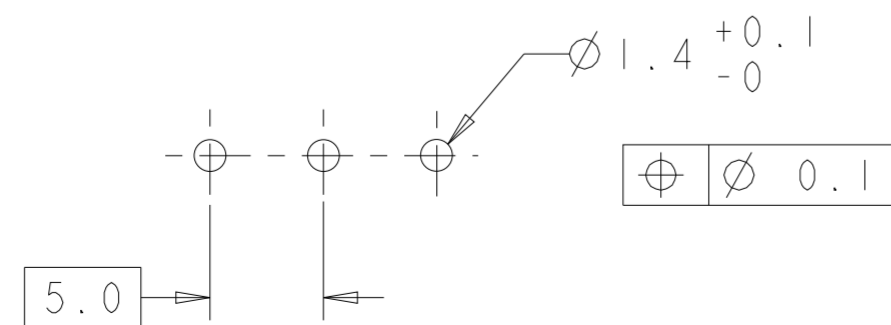
P	LTR	DESCRIPTION	DATE	DWN	APVD
E3		REVISED PER ECO-11-008211	21APR2011	HMR	CR
E4		PART STATUS UPDATED	19OCT2021	SCB	SS



796690-3 AS SHOWN



OBSOLETE	BLACK	SEE DETAIL J	3.8	10	2	<del>5-796690-6</del>
OBSOLETE	BLACK	SEE DETAIL H	3.8	10	2	<del>5-796690-5</del>
OBSOLETE	BLACK	SEE DETAIL G	3.8	10	2	<del>5-796690-4</del>
OBSOLETE	-	-	6.0	15	3	<del>5-796690-3</del>
OBSOLETE	-	-	6.0	10	2	<del>5-796690-2</del>
OBSOLETE	△9	SEE DETAIL B	3.8	10	2	<del>4-796690-2</del>
OBSOLETE	△8	SEE DETAIL F	3.8	40	8	<del>3-796690-8</del>
OBSOLETE	△9	SEE DETAIL C	3.8	15	3	<del>3-796690-3</del>
OBSOLETE	-	-	3.8	100	20	2-796690-0
OBSOLETE	△9	SEE DETAIL C	3.8	15	3	+796690-9
OBSOLETE	△9	SEE DETAIL B	3.8	10	2	+796690-8
OBSOLETE	-	-	6.0	15	3	+796690-7
OBSOLETE	-	-	6.0	10	2	+796690-6
OBSOLETE	△8	SEE DETAIL E	3.8	25	5	+796690-5
OBSOLETE	△8	SEE DETAIL D	3.8	20	4	+796690-4
OBSOLETE	△8	SEE DETAIL A	3.8	10	2	+796690-3
-	-	-	3.8	60	12	1-796690-2
-	-	-	3.8	55	11	1-796690-1
-	-	-	3.8	50	10	1-796690-0
-	-	-	3.8	45	9	796690-9
-	-	-	3.8	40	8	796690-8
-	-	-	3.8	35	7	796690-7
-	-	-	3.8	30	6	796690-6
-	-	-	3.8	25	5	796690-5
-	-	-	3.8	20	4	796690-4
-	-	-	3.8	15	3	796690-3
-	-	-	3.8	10	2	796690-2
INK COLOR	MARKING	P	L	NO OF POSN	PART NUMBER	



RECOMMENDED PC BOARD LAYOUT

THIS DRAWING IS A CONTROLLED DOCUMENT.

DIMENSIONS:	TOLERANCES UNLESS OTHERWISE SPECIFIED:	DWN	E. ZANOLINI	14MAR2001
mm	0 PLC ±3	CHK	D. BIEVENOUR	14MAR2001
	1 PLC ±.25	APVD	D. BIEVENOUR	14MAR2001
	2 PLC ±.	PRODUCT SPEC	108-20166	
	3 PLC ±.	APPLICATION SPEC	114-20079	
	4 PLC ±.	WEIGHT	-	
ANGLES	±2	CUSTOMER DRAWING	SCALE	3:1
FINISH	△1		SHEET	1 OF 2

NAME: **TE Connectivity**

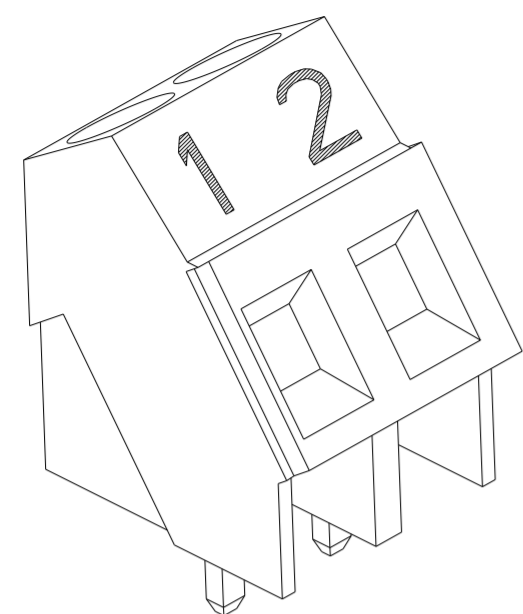
TERMINAL BLOCK, PCB MOUNT  
ANGLED WIRE ENTRY, STACKING  
W/INTERLOCK, 5mm PITCH

SIZE: A2 CAGE CODE: 00779 DRAWING NO: C-796690 RESTRICTED TO: -

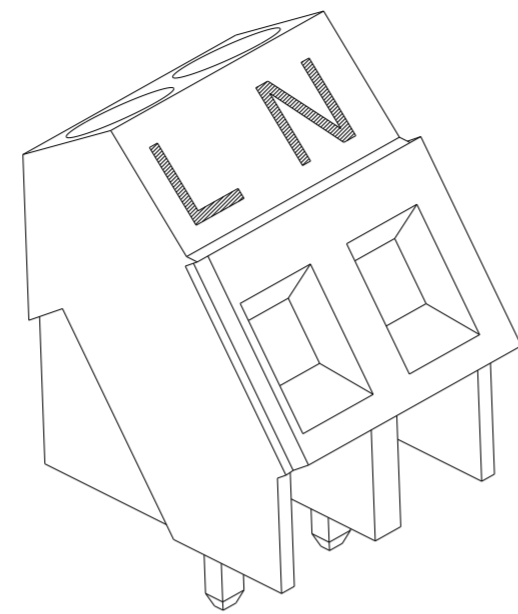
REV E4

REVISIONS

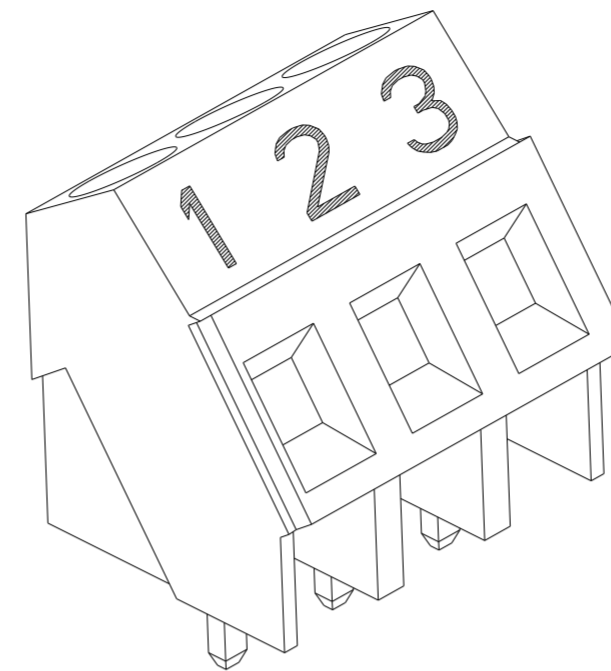
P	LTR	DESCRIPTION	DATE	DWN	APVD
-	-	SEE SHEET 1	-	-	-



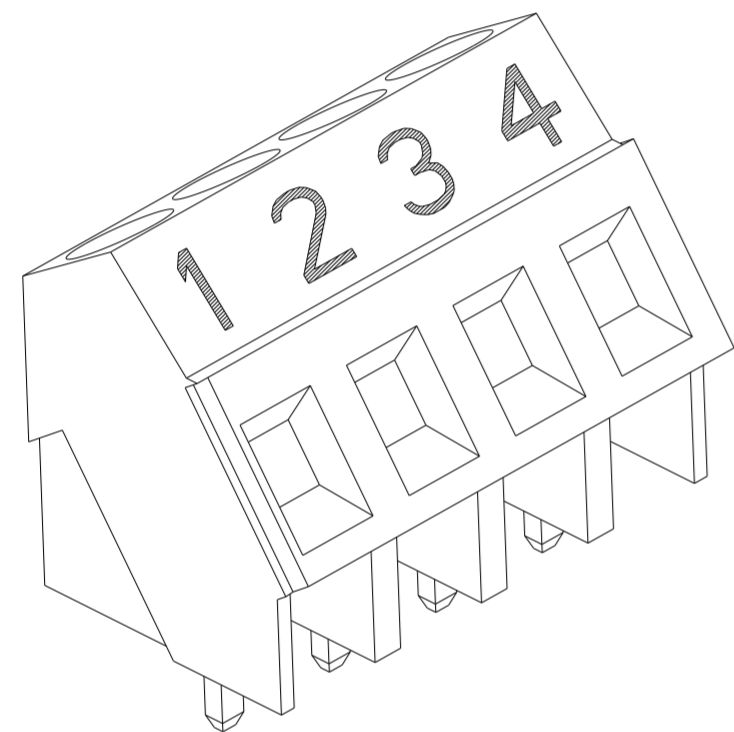
DETAIL A



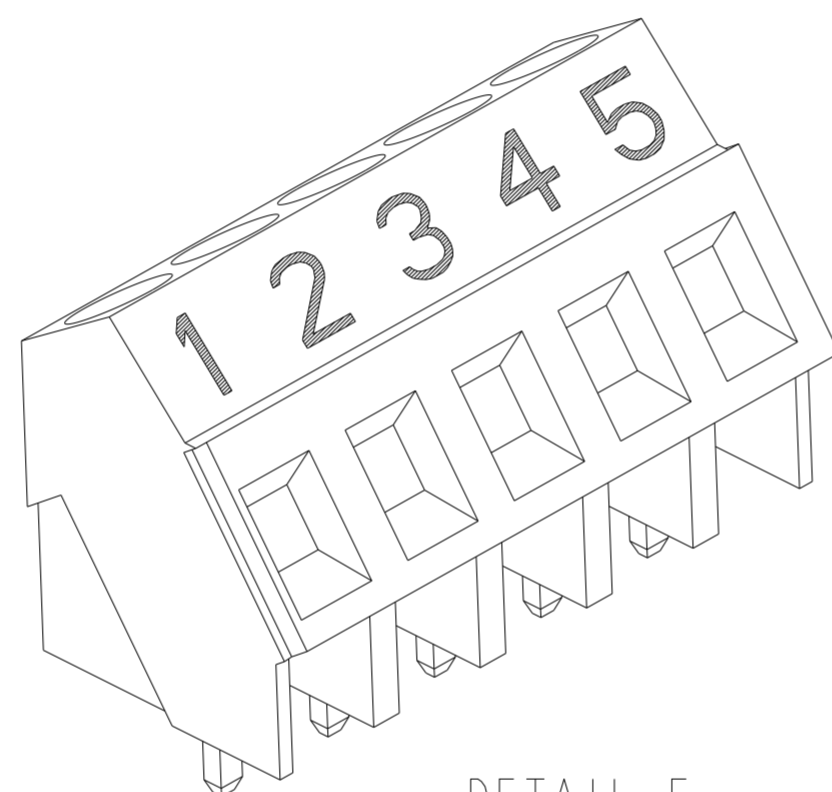
DETAIL B



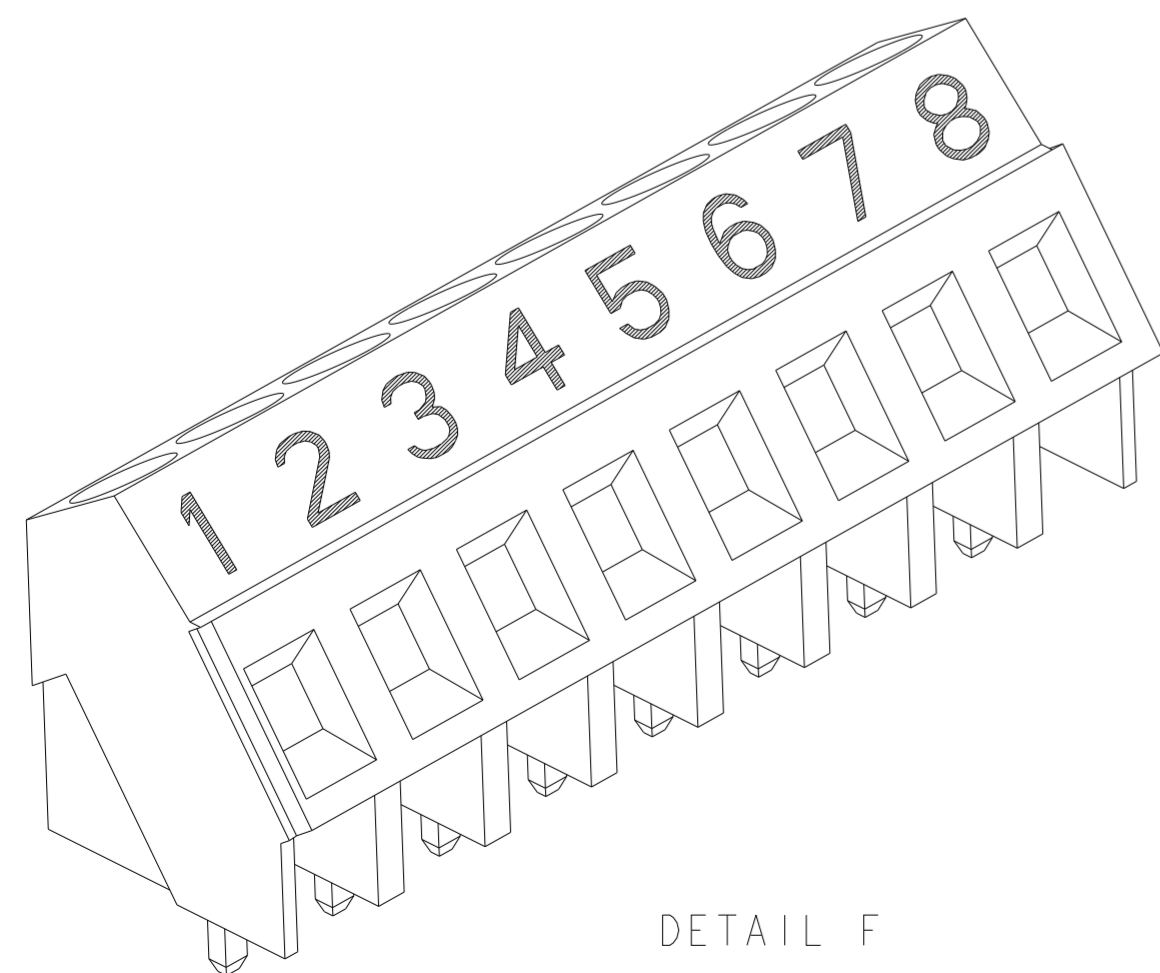
DETAIL C



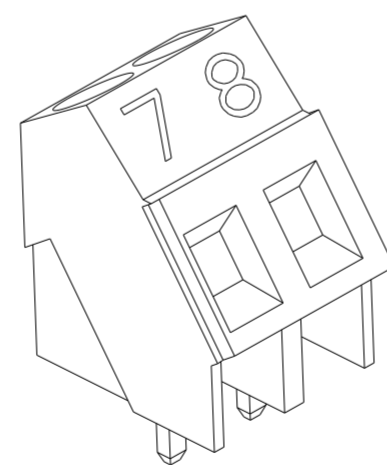
DETAIL D



DETAIL E



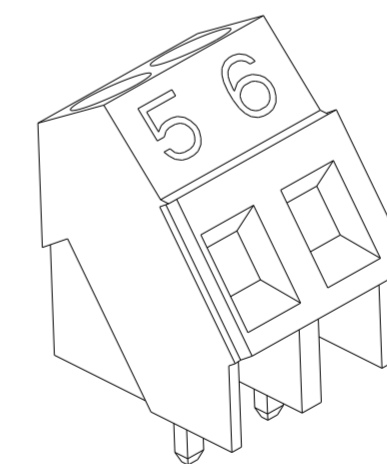
DETAIL F



DETAIL G




DETAIL H



DETAIL J

- 1. MATERIALS AND FINISH:  
HOUSING: PA 6-6, UL 94-V0, COLOR GREEN.  
CLAMP: BRASS, NICKEL PLATED.  
TERMINAL: BRASS, TIN PLATED.  
CLAMPING SCREW: M3, BRASS, NICKEL PLATED.
- 2. SUITABLE FOR 1,6-2,4mm PCB THICKNESS.
- 3. END-TO-END STACKABLE W/INTERLOCK, WITHOUT LOSS OF CENTERLINE SPACING.
- 4. WIRE RANGE: 12-30 AWG.
- 5. RECOGNIZED UNDER THE COMPONENT PROGRAM OF UNDERWRITERS LABORATORIES INC. FILE N° E60677.
- 6. IMQ CERTIFICATE WITH SURVEILLANCE IN CONFORMITY WITH IEC 998-1/998-2-1.
- 7. NOT CUMULATIVE TOLERANCE.
- 8. INK MARKED WHITE, UNLESS OTHERWISE SPECIFIED. NUMERICAL SEQUENCE FROM LEFT TO RIGHT.
- 9. INK MARKED BLACK, UNLESS OTHERWISE SPECIFIED. NUMERICAL SEQUENCE FROM LEFT TO RIGHT.
- 10. BUCHANAN LOGO TO APPEAR ON HOUSING, LOCATION OPTIONAL, WHERE SPACE PERMITS.

THIS DRAWING IS A CONTROLLED DOCUMENT.		DWN E. ZANOLINI 14MAR2001	 TE Connectivity	
DIMENSIONS: mm		CHK D. BIEVENOUR 14MAR2001		
TOLERANCES UNLESS OTHERWISE SPECIFIED:		APVD D. BIEVENOUR 14MAR2001	NAME TERMINAL BLOCK, PCB MOUNT ANGLED WIRE ENTRY, STACKING W/INTERLOCK, 5mm PITCH	
0 PLC ±	±3	PRODUCT SPEC 108-20166	SIZE A2	CAGE CODE 00779
1 PLC ±	±.25	APPLICATION SPEC 114-20079	DRAWING NO G-796690	RESTRICTED TO -
2 PLC ±	±.	WEIGHT -	SCALE 3:1	SHEET 2 OF 2
3 PLC ±	±.	CUSTOMER DRAWING	REV E4	
4 PLC ±	±2			
ANGLES				
FINISH				