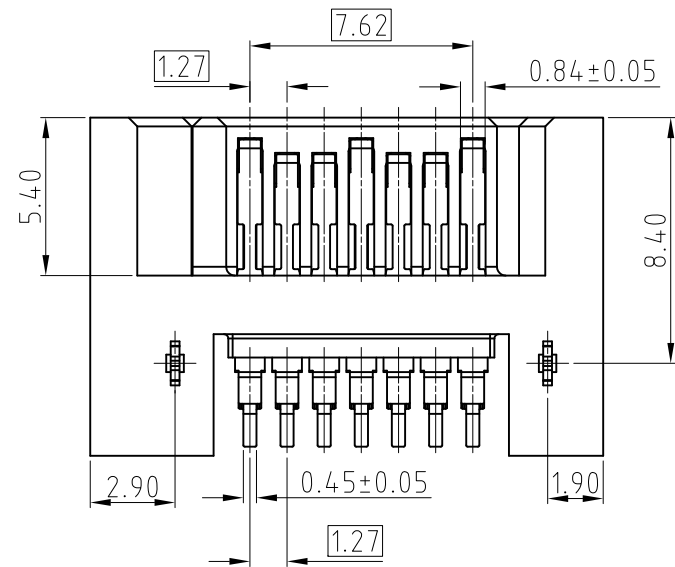
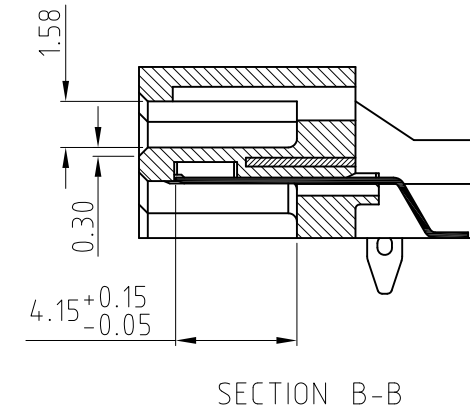
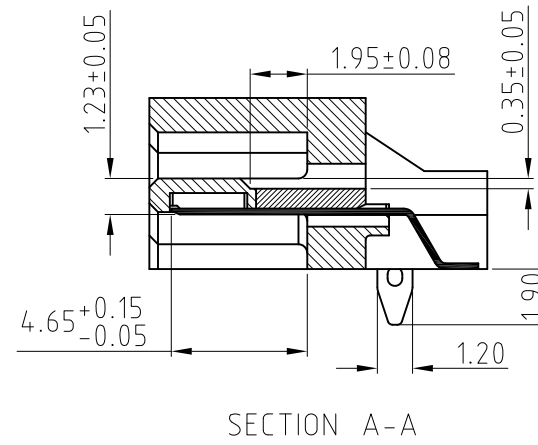
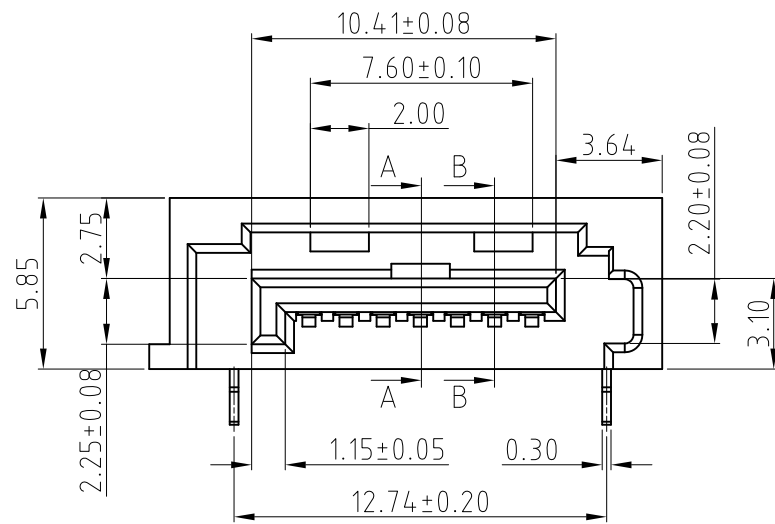
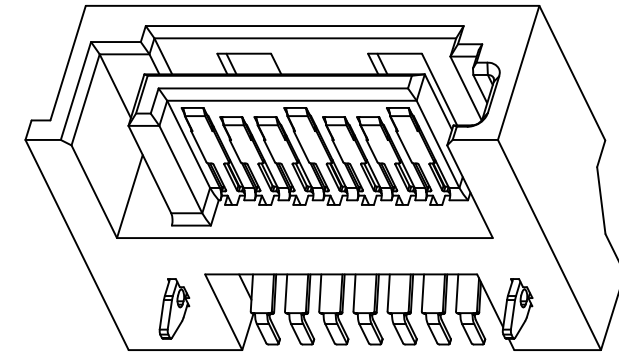
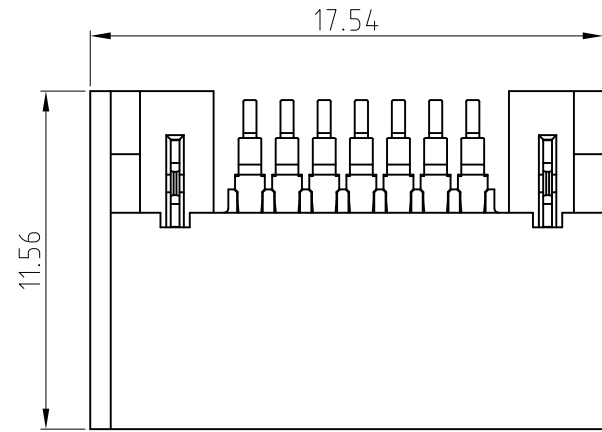


This document is the property of Amphenol Corporation and is delivered on the express condition that it is not to be disclosed, reproduced or used, in whole or in part, for manufacture or sale by anyone other than Amphenol Corporation without its prior consent, & that no right is granted to disclose or to use any information in this document.

# CUSTOMER DRAWING

| REVISIONS |       |               |            |          |
|-----------|-------|---------------|------------|----------|
| SYM       | ECN   | DESCRIPTION   | DATE       | APPROVED |
| 1         | HK--- | FIRST RELEASE | 03/01/2019 | IP       |

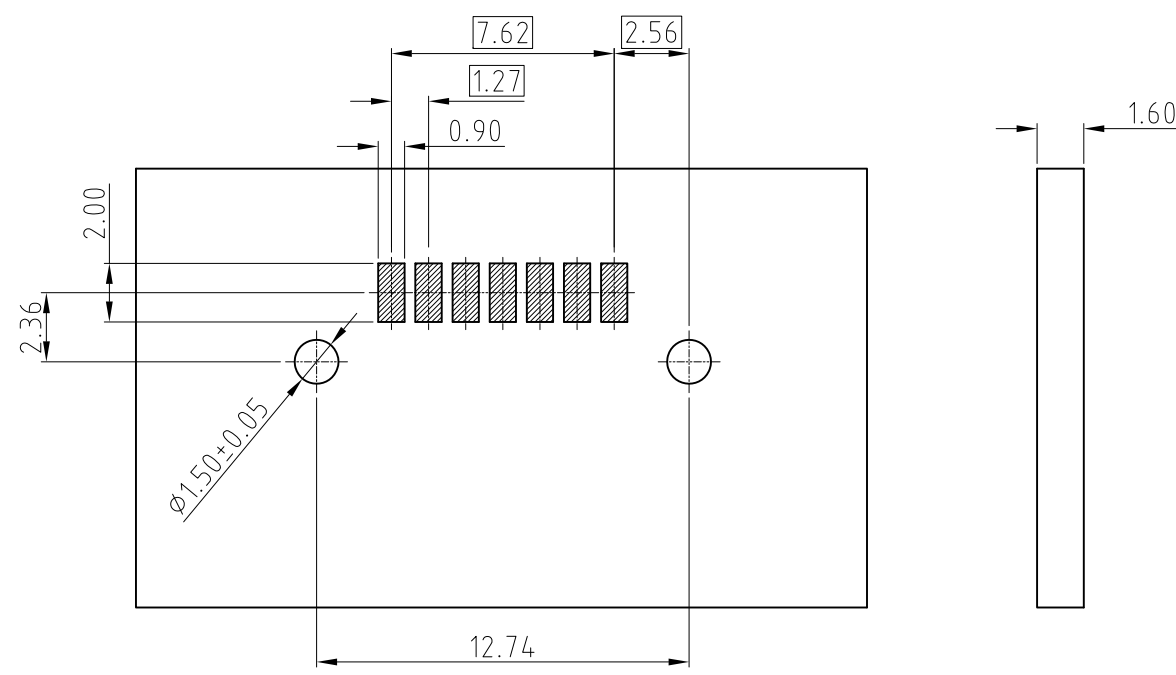


|   |   |                  |   |
|---|---|------------------|---|
| UNLESS OTHERWISE SPECIFIED<br><b>TOLERANCES</b><br>U.S. METRIC<br>.X +/- 0.25<br>.XX +/- 0.15<br>.XXX +/- 0.10<br>FRACTIONS +/-<br>ANGLES +/- 3°<br>FOR MATERIALS AND FINISHES<br>SEE NOTES<br>REMOVE SHARP EDGES<br>DIMENSIONS<br>U.S. INCHES<br>(METRIC) (MM) | APPROVAL<br>DRAWN: Evan.Dai<br>CHECKED:         | DATE<br>03/01/19 | <b>Amphenol</b><br>Amphenol East Asia Limited<br>TITLE<br>Customer Drawing For<br>12G SATA 7P R/A SMT PLUG CONNECTOR<br>SIZE DRAWING NO. REV.<br>A3 SAT3M213207XXX 1<br>SCALE NONE SHEET 1 OF 2 |
|   | DRAWING FILE :<br>Drawing\SATA\SAT3M213207XXX-1 |                  |   |
|   | ANGLE OF PROJECTION<br>                         |                  |   |
|   | APPROVED:                                       |                  |   |

This document is the property of Amphenol Corporation and is delivered on the express condition that it is not to be disclosed, reproduced or used, in whole or in part, for manufacture or sale by anyone other than Amphenol Corporation without its prior consent, & that no right is granted to disclose or to use any information in this document.

# CUSTOMER DRAWING

| REVISIONS |     |                  |      |          |
|-----------|-----|------------------|------|----------|
| SYM       | ECN | DESCRIPTION      | DATE | APPROVED |
|           |     | REFER TO SHEET 1 |      |          |



RECOMMENDED PCB LAYOUT  
 THICKNESS=1.60mm GENERAL TOLERANCE ±0.05mm

- NOTES:
- MATERIAL:  
 HOUSING: HIGH TEMPERATURE THERMOPLASTIC UL94V-0, COLOR: BLACK.  
 CONTACTS: COPPER ALLOY;  
 PLATING: REFER TO PN SYSTEM ON MATING AREA;  
 1.27um MIN NICKEL UNDERPLATED OVERALL;  
 2.54um MATTE PURE TIN ON SOLDER TAILS.  
 SOLDER CLIP: COPPER ALLOY;  
 PLATING: 2.54um MIN MATTE PURE TIN OVER  
 1.27um MIN NICKEL UNDERPLATED.
  - GENERAL SPECIFICATION:  
 CURRENT RATING: 1.5A (POWER SECTION);  
 CONTACT RESISTANCE: 30mΩ MAX.  
 INSULATOR RESISTANCE: 1000MΩ MIN.  
 DIELECTRIC WITHSTANDING VOLTAGE: 500 VAC  
 OPERATION TEMPERATURE: -20°C~+85°C
  - DIMENSIONING SHALL BE INTERPRETED PER ASME Y14.5M 1994
  - MATERIAL SHOULD BE FULFILLED AMPHENOL SPEC.# S-SN-002, HALOGEN FREE PRODUCTS ALSO NEED TO MEET #S-SN-004
  - ORDER P/N SYSTEM: SAT3M213207XXX

MATING AREA PLATING  
 1- 0.76um MIN Au.  
 2- 0.38um MIN Au.  
 3- Gold FLASH

PACKING STYLE  
 NIL- TRAY  
 TR- TAPE AND REEL



|  |   |                     |  |
|--|---|---------------------|--|
| UNLESS OTHERWISE SPECIFIED TOLERANCES<br>U.S. METRIC<br>.X +/- 0.25<br>.XX +/- 0.15<br>.XXX +/- 0.10<br>FRACTIONS +/-<br>ANGLES +/- 3° | APPROVAL  | DATE                | Amphenol<br>Amphenol East Asia Limited       |
|  | DRAWN Evan.Dai                                  | 03/01/19            |  |
| FOR MATERIALS AND FINISHES SEE NOTES   | CHECKED   |                     | TITLE  |
| REMOVE SHARP EDGES   | CHECKED   |                     | Customer Drawing For                         |
| DIMENSIONS   | DRAWING FILE :<br>Drawing\SATA\SAT3M213207XXX-1 | ANGLE OF PROJECTION | 12G SATA 7P R/A SMT PLUG CONNECTOR           |
| U.S. INCHES<br>(METRIC) (MM)   |   |                     | SIZE DRAWING NO. REV.<br>A3 SAT3M213207XXX 1 |
|  |   |                     | SCALE NONE SHEET 2 OF 2                      |