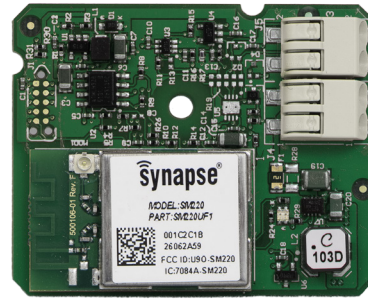




DIM10-087-00

Wireless Lighting Controller



Antenna Required
(Not Included)

Powered by the LED Driver

Specification Data	
Job Name	
Type	
Catalog #	
Comments	

Product Overview

The **DIM10-087** is a California Title 24 compliant lighting controller that provides for the remote, wireless control of lighting for both indoor and outdoor commercial applications. Powered by compatible LED drivers, its compact design and flexible deployment options make it ideal for placement in a wide array of fixtures.

Features

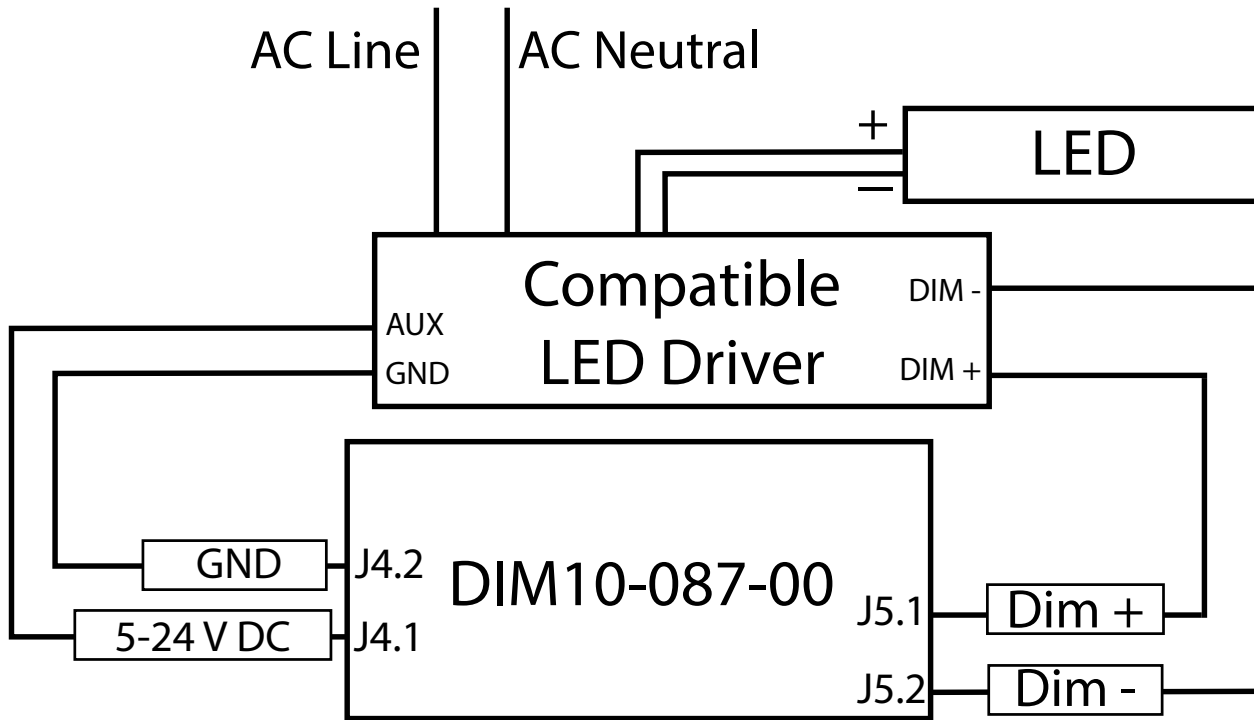
- No AC Power required - Powered from Compatible LED Drivers with Auxillary 5-24V DC output
- Self-healing SNAP Mesh Networking
- Seamlessly integrates into the SimplySNAP lighting control
- Control dimming to a wide-range of LED fixtures
- Secure, over-the-air upgrades to support future enhancements
- Quick Connect Header
- Secure, over-the-air upgrades to support future enhancements
- 0 – 10 Volt Dimming

Product #	Description
DIM10-087-00	Wireless Lighting Controller

Dimensions	2" L x 1.6" W x .3" H (51 mm L x 40.7mm W x 6.4H)
Input Power	5 to 24V DC, 1.2 W max
Operating Environment	-40°C to +85°C
Dimming Control	0-10V
Dimming Output	10 mA (Max Source/Sink)
Radio	SNAP 2.4GHz ; 802.15.4 +20 dBm Transmit Power -103 dBm Receive Sensitivity
Certifications	UL Recognized Component; CE; FCC/IC
Warranty	5 Years

To learn more, call or visit:
synapse-wireless.com
(877) 982-7888

DIM10-087 Wiring Diagram



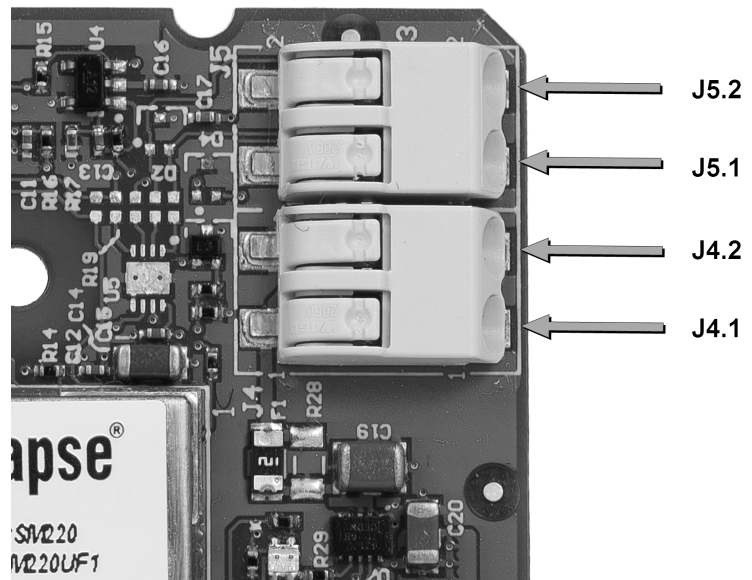
LED Driver Requirements:

- Must provide output power rating of 1.2W @ 5 - 24V DC
- Must support "Dim-to-off" or "True off"

Dimming	
J5.2	Dim -
J5.1	Dim +

Input Voltage	
J4.2	GND
J4.1	5-24V DC

Terminal Block Connector Pin-out



u.FL cable and Antenna Options

Part #	Description
GLP-KIT-ANTUFL18-01	Right Angle Antenna Kit: 18" u.FL to 14mm female bulkhead + Outdoor Fixed Right Angle Antenna (ANT-2.4-ORB-RPM-1.5-01) + Oring
GLP-KIT-ANTUFL18-02	Straight Angle Antenna Kit: 18" u.FL to 14mm female bulkhead + Outdoor Straight Antenna (ANT-2.4-OSB-RPM-1.5-01) + Oring