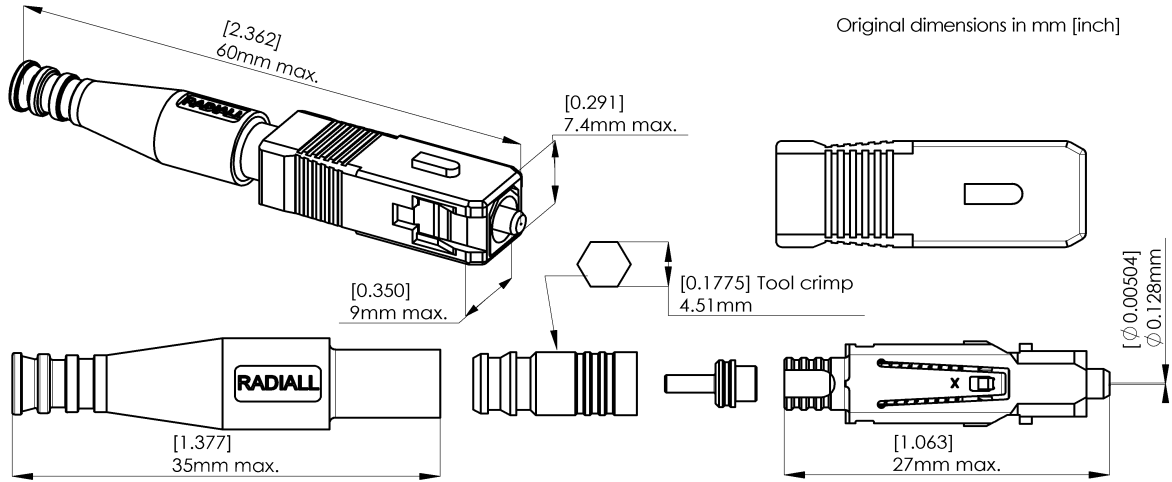


**SC**

**MULTIMODE FIBER OPTIC CONNECTOR**

Outer plug body and boot: color beige

Series	Packaging	Issue	Page
F728	100	31Dec.10	1/1



**GENERAL**

- Type** : IEC 61754-4 type SC  
 Multimode, zirconia ceramic ferrule (20 mm pre-radius)  
 Push-pull latching system, floating ferrule  
 360° tunable (adjustable to 6 positions for optimization of random insertion loss)
- Ferrule size** : 128 µm  
**Fiber size** : 50/125; 62.5/125µm, multimode
- Cable** : Ø 2mm, tight or semi loose structure
- Cabling proc.** : Refer to 503 08 400 (D 6121 oe), assembly instruction manual

**CHARACTERISTICS** (Dependant on fiber or cable construction)

- Optical** : Attenuation at 850 and 1310nm with led source, at EMD condition
- |                    |               |  |
|--------------------|---------------|--|
|                    | <b>STD</b>    | <b>(IEC 61300-2-40)</b>                                    |
| Mean               | < 0.2 dB      | (Attenuation plug mated with reference plug IEC 61300-3-4) |
| Standard deviation | 0.08 dB       |  |
| Max                | < 0.75dB, 95% | (Attenuation of random mated connectors IEC 61300-3-34)    |
| Mean               | 0.25 dB       |  |
| Repeatability      | 0.10 dB       | (Maximum loss variation, IEC 61300-2-2)                    |
| Return loss        | >20 dB        | (IEC 61300-3-6)  |
- Mechanical** : Mechanical endurance 500 matings  
 Cable retention 100N
- Environmental** : Temperature range (storage/operating) -40 to +85 °C

CREATION						<b>RADIALL®</b> 101, rue P. Hoffmann 93116 ROSNY/BOIS FRANCE Tel : (33) 0149353535 Fax : (33) 0148546363
N°:						
PEN/EP: CAT.						
Name: PB						
Date: 11 Aug. 99	31 Dec. 10	Mise à jour performances optiques et mécaniques	SP	HD		
Appr.: LV	Issue	Revisions	Name	Appr.		