

PRODUCT DESCRIPTION CODE :

10155447-111LF

RoHS COMPATIBLE, LEAD FREE

FOR CUSTOMER CODE :
BLANK = GENERAL USE

APPLICABLE AWG, SEE NOTE 1

PLATING :

1 = 3µm MIN MATTE TIN (POSTPLATED)

3 = 0.76µm MIN GOLD (CONTACT AREA)

ALL OVER 1.27µm MIN Ni UNDERLAYER

NOTES

1 - APPLICABLE AWG

1- AWG #22

2- AWG #26-28

3- AWG #24

2 - PRODUCT SPECIFICATION : GS-12-1634

3 - APPLICATION SPECIFICATION AS PER GS-20-0657

4 - PACKAGING : 15.000 PCS/REEL

5 - RoHS COMPATIBLE PRODUCT SPECIFICATIONS

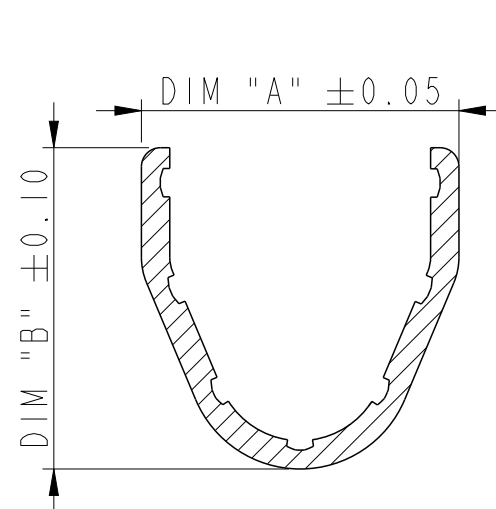
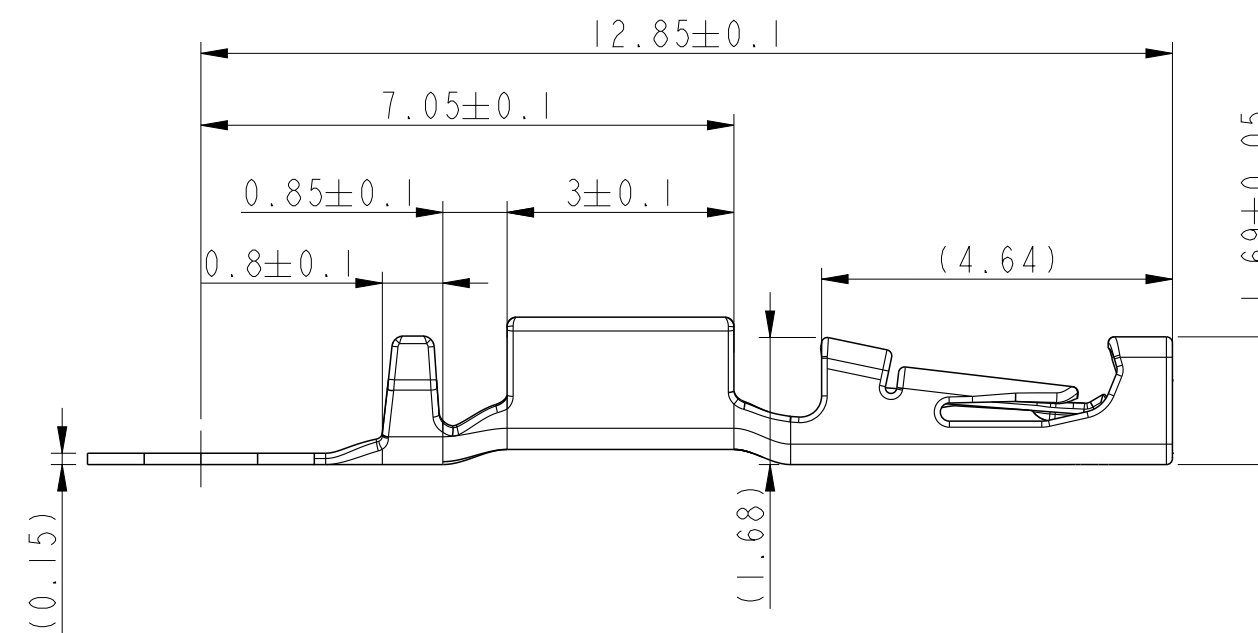
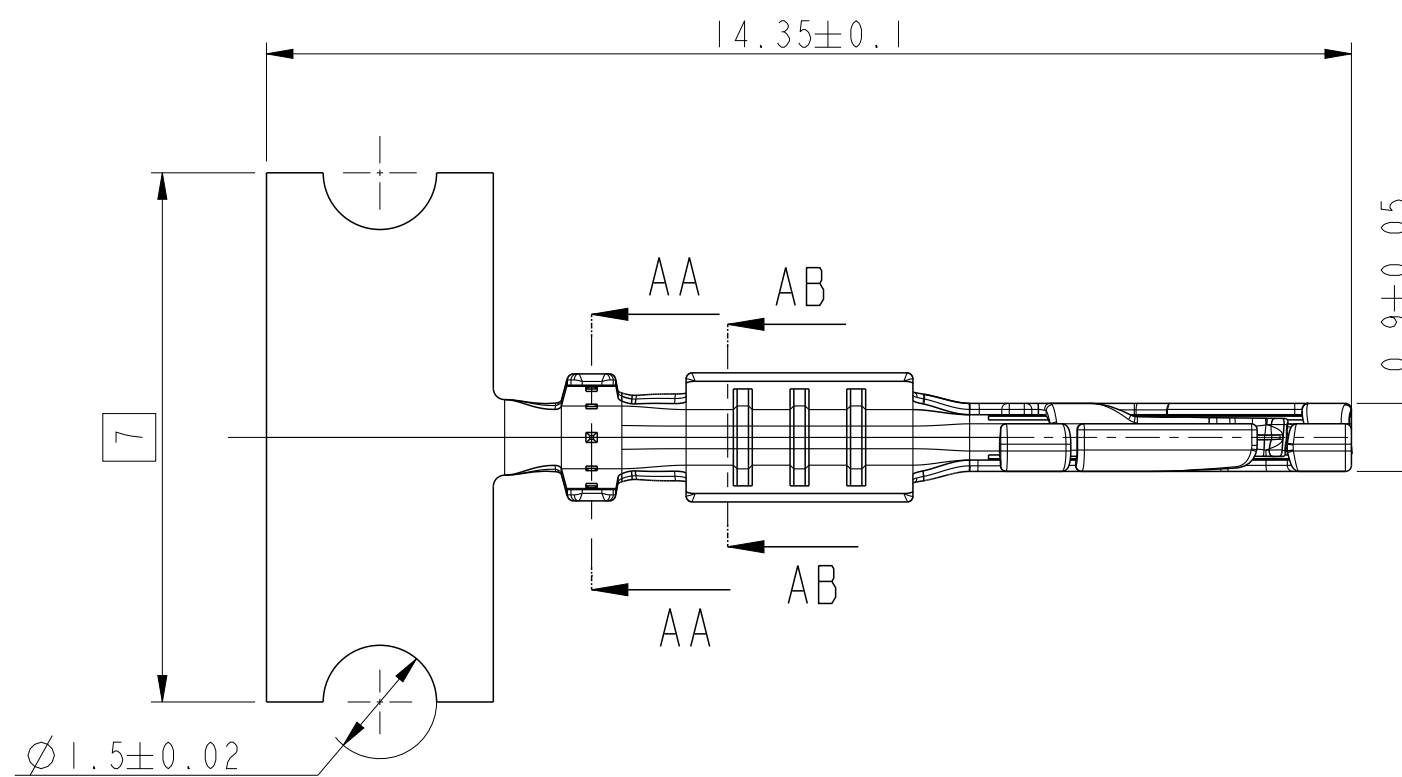
a - LABELLING :

MEETS PACKAGING SPECS AS PER GS-14-920

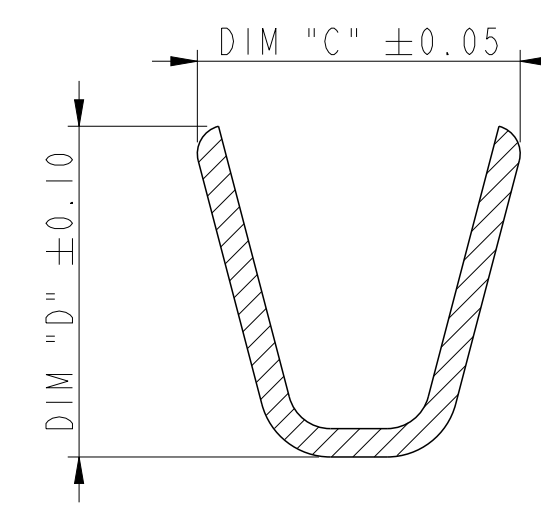
b - LEGAL STATEMENT :

SEE GS-47-0004.

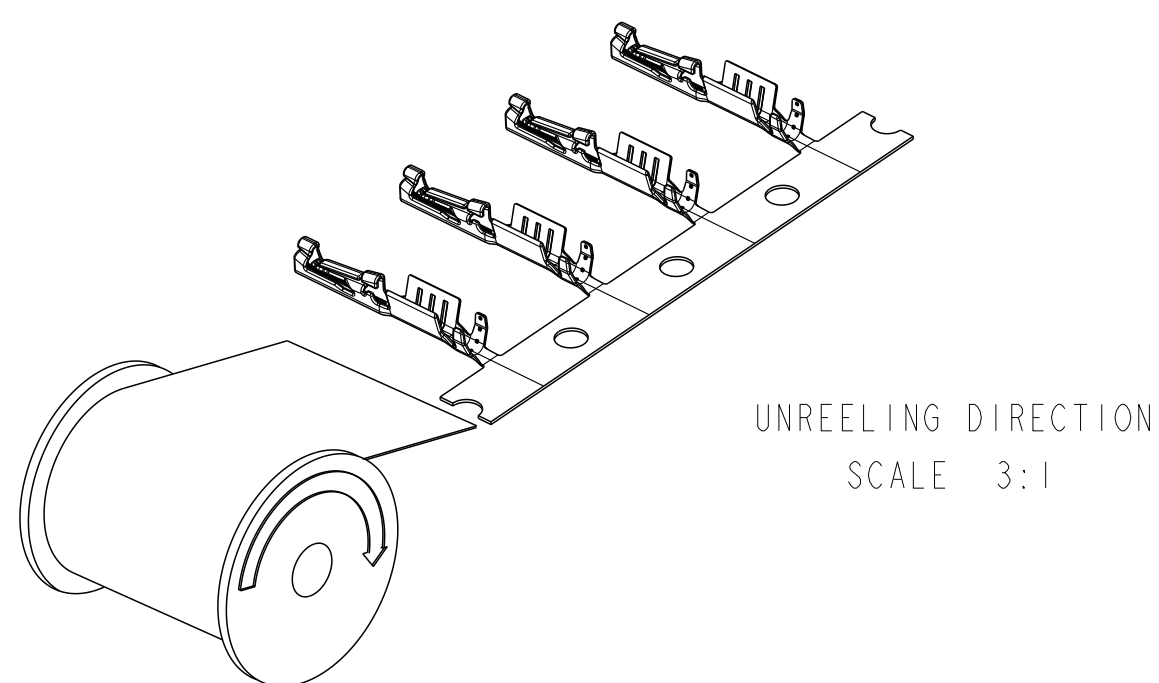
PRODUCT NO	WIRE SIZE	DIM "A"	DIM "B"	DIM "C"	DIM "D"
10155447-111LF	AWG 22	1.68	1.70	1.70	1.75
10155447-112LF	AWG 26-28	1.68	1.60	1.60	1.25
10155447-113LF	AWG 24	1.68	1.70	1.70	1.55



SECTION AA-AA
SCALE 25:1



SECTION AB-AB
SCALE 25:1



UNREELING DIRECTION
SCALE 3:1

spec ref	GS-12-1634	dr	Sawarath, Ambaa	2020/01/10	projection	mm	size	A2	scale	10:1				
tolerance std	ISO 406 ISO 1101	eng	Cyril Jeune	2020/06/26		mm	ecn no	-	rel level	Released				
TOLERANCES UNLESS OTHERWISE SPECIFIED		chr	Hyppias, Arnau	2020/06/25										
surface	linear	0.X	±0.1		product family		-	-	-	-				
		0.XX	±0.05		RECEPTACLE TERMINAL CTW						cat. no.	-	Product - Customer Drw	sheet 1 of 1
	angular	0°	±2°		MINITEK MicroSpaceXS									