

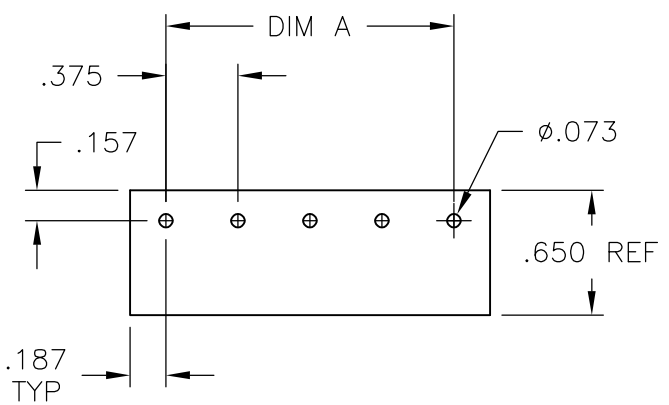
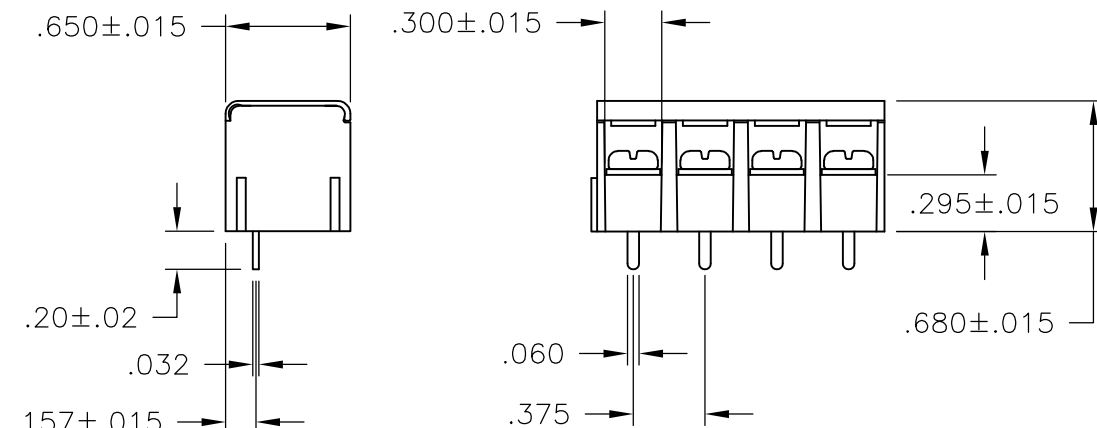
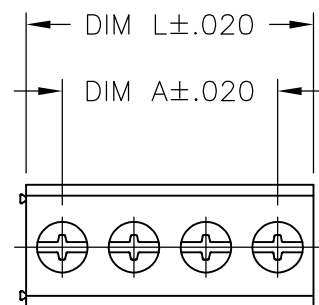
THIS DRAWING IS UNPUBLISHED. RELEASED FOR PUBLICATION
 © COPYRIGHT BY TYCO ELECTRONICS CORPORATION. ALL RIGHTS RESERVED.

LOC	DIST	REVISIONS					
FT	0	P	LTR	DESCRIPTION	DATE	DWN	APVD
			D	REVISED PER ECO-10-012475	22SEP10	HMR	CR

MATERIALS:
 HOUSING: NYON, UL94V-0, BLACK.
 TERMINALS: TIN PLATED, COPPER ALLOY.
 SCREW: M3.5, NICKEL PLATED STEEL.

ELECTRICAL PROPERTIES:
 RATING: 15A, 300V.
 WIRE RANGE: 14-22 AWG.
 TIGHTENING TORQUE: 12 IN-LB.

ENVIRONMENTAL PROPERTIES:
 MAX OPERATING TEMP.: 120°C



RECOMMENDED PCB LAYOUT

3.000	2.625	8	1546833-8
2.625	2.250	7	1546833-7
2.250	1.875	6	1546833-6
1.875	1.500	5	1546833-5
1.500	1.125	4	1546833-4
1.125	.750	3	1546833-3
.750	.375	2	1546833-2
DIM L	DIM A	NO OF POS	PART NUMBER

THIS DRAWING IS A CONTROLLED DOCUMENT.		DWN	S SCHLEGEL	08OCT03	Tyco Electronics Corporation Harrisburg, PA 17105-3608			
DIMENSIONS: INCHES		CHK	S YODER	10/8/03				
TOLERANCES UNLESS OTHERWISE SPECIFIED:		APVD	S YODER	10/8/03	NAME			
0 PLC ± - 1 PLC ± - 2 PLC ± - 3 PLC ± .005 4 PLC ± - ANGLES ± -		PRODUCT SPEC		.375 MODULAR TRIBARRIER W/ COVER, ASSEMBLY				
MATERIAL		APPLICATION SPEC		SIZE		CAGE CODE	DRAWING NO	RESTRICTED TO
FINISH		WEIGHT		A3		00779	C-1546833	-
CUSTOMER DRAWING				SCALE	NTS	SHEET	1 OF 1	REV
				D				