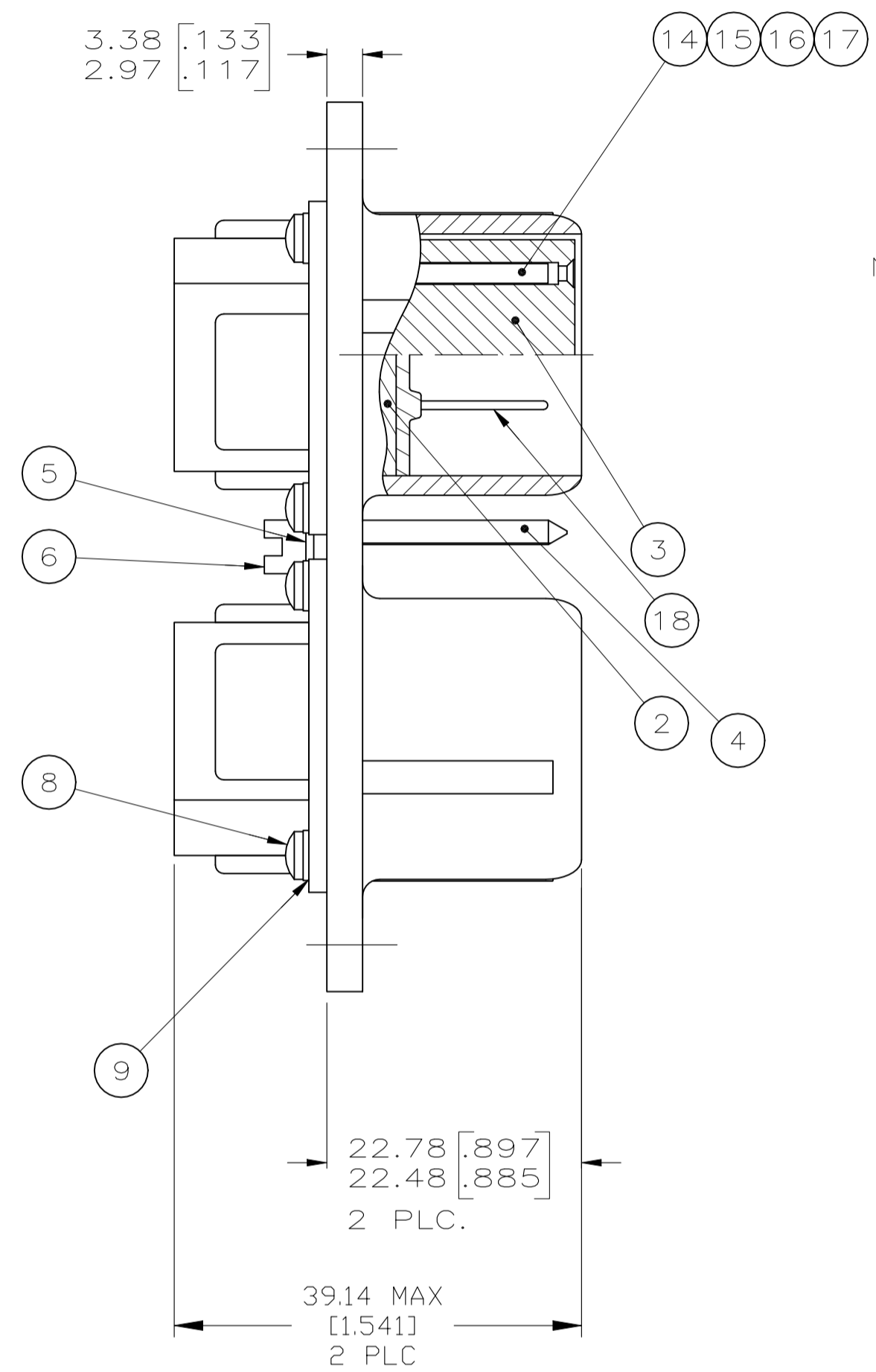
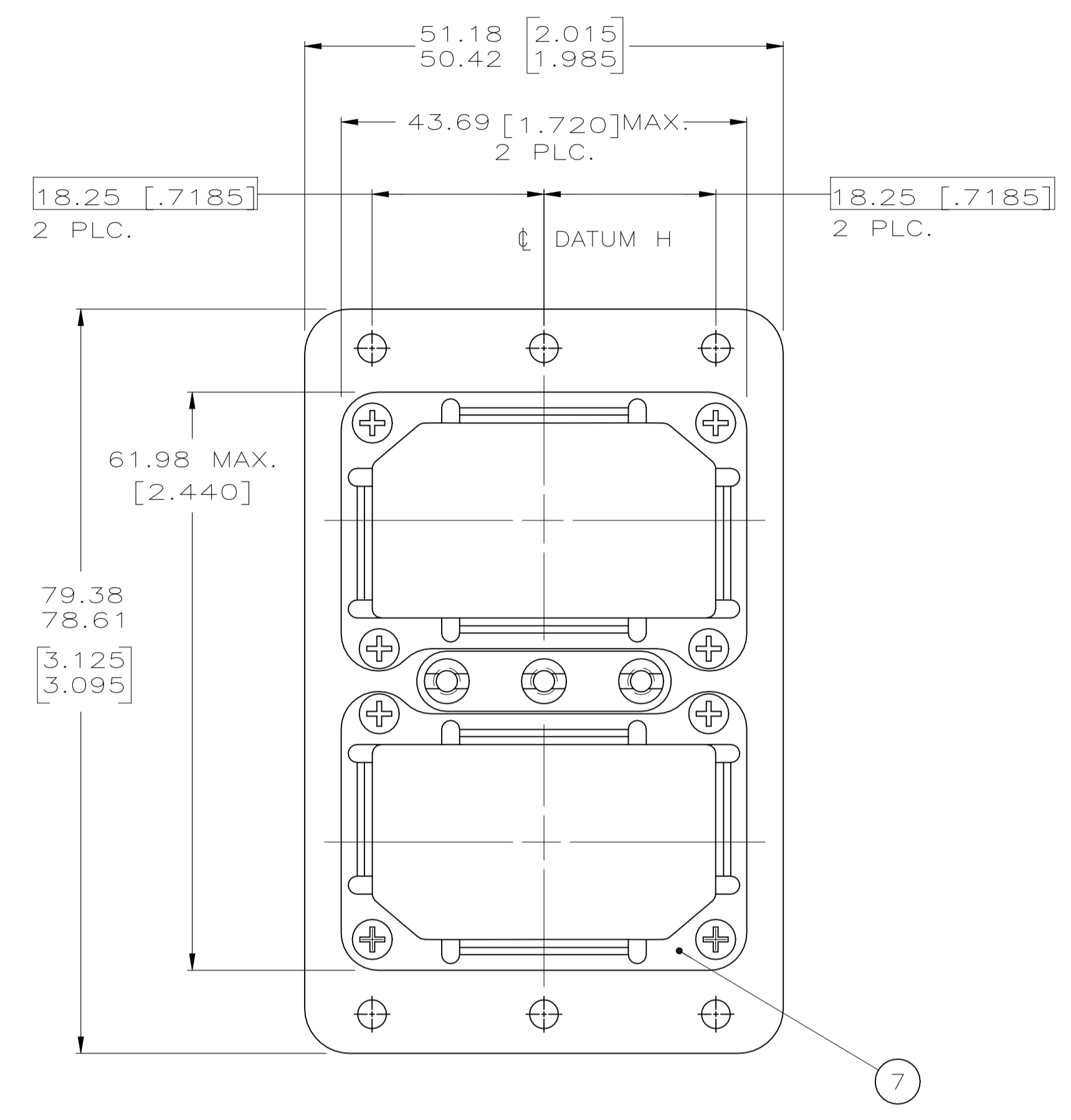
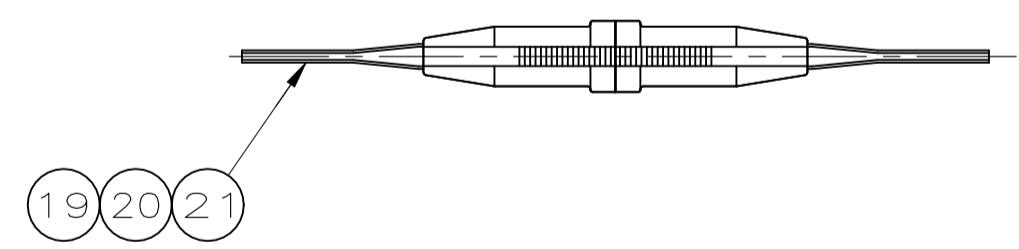
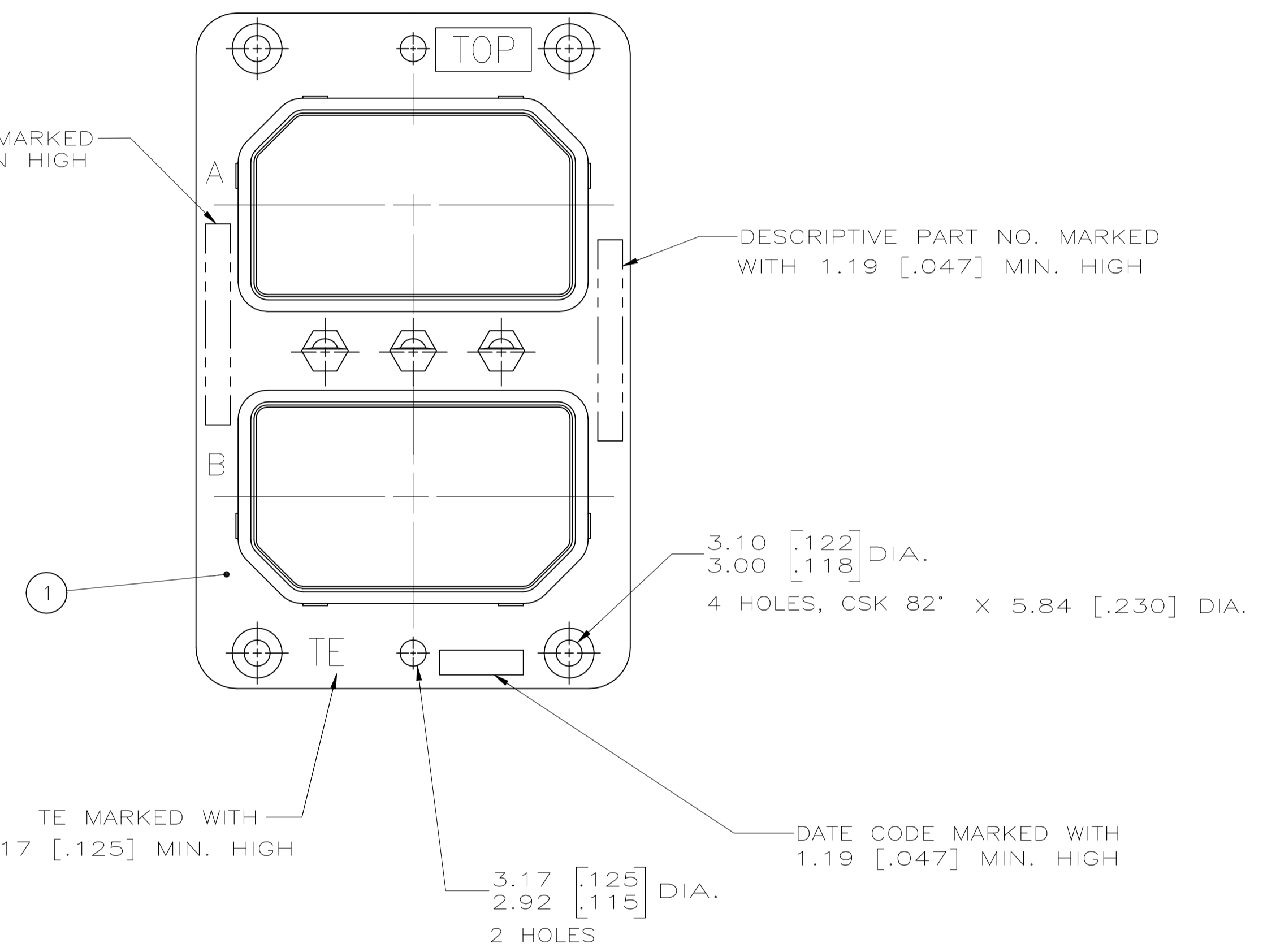


| REVISIONS |     |                           |         |     |      |
|-----------|-----|---------------------------|---------|-----|------|
| P         | LTR | DESCRIPTION               | DATE    | DRN | APVD |
| E         |     | REVISED PER ECO 20-015430 | 5-26=21 | CT  | RL   |



NUMERICAL (ORDERING) P/N MARKED WITH 1.19 [.047] MIN HIGH



- CONTACTS SHOWN LOADED FOR ILLUSTRATION ONLY; ARE INCLUDED IN A CONTAINER WITHIN CONNECTOR PACKAGE FOR SHIPMENT.
- FOR INSERT ARRANGEMENTS AND DIMENSIONS, SEE TABLES ON SHEET 2 OF 2.
- DIMENSIONS IN BRACKETS ARE IN INCHES.
- MATERIAL & FINISH:**

SHELL: DIE CAST ALUMINUM PER QQ-A-591 OR ASTM B211, 6061-T6/6511 OR ASTM B209 2024-T4/T351  
 FINISH: PLATED CADMIUM PER QQ-P-416, TYPE 1 CLASS 2 YELLOW CHROMATE CONVERSION

INSULATOR, HARD: EPOXY PER MIL-M-24325  
 INSULATOR, SOFT: FLUOROSILICONE RUBBER; COLOR: BLUE  
 GROMMET PROTECTOR: ALUMINUM ALLOY, FINISH: BLUE EPOXY  
 SCREWS & WASHERS: STAINLESS STEEL; PASSIVATED  
 POLARIZING POSTS & NUTS: STAINLESS STEEL  
 DUST CAP: CLEAR VINYL

**METRIC**

|   |  |  |  |   |  |
|---|--|--|--|---|--|
| THIS DRAWING IS A CONTROLLED DOCUMENT.  |  | DIN 3-11-87<br>MARK HOFFECKER          |  | TE Connectivity Ltd.  |  |
| DIMENSIONS: mm [INCHES]   |  | TOLERANCES UNLESS OTHERWISE SPECIFIED: |  | CHK 3-11-87<br>LARRY LAWNER<br>APVD 3-11-87<br>LARRY LAWNER<br>PRODUCT SPEC<br>APPLICATION SPEC<br>NAME<br>PLUG CONNECTOR KIT, ARINC 404, DUAL INSERT |  |
| 0 PLC ± -<br>1 PLC ± -<br>2 PLC ± -<br>3 PLC ± -<br>4 PLC ± -<br>ANGLES ± 0°30' |  | MATERIAL                               |  | SIZE CAGE CODE DRAWING NO<br>WEIGHT 0 A1 00779 C=213441<br>CUSTOMER DRAWING SCALE 2:1 SHEET 1 OF 2 REV E  |  |

| REV. NO. | DATE | DESCRIPTION |
|----------|------|-------------|
| 1        | -    | SEE SHEET 1 |

| REV. NO. | DATE | DESCRIPTION |
|----------|------|-------------|
| 1        | -    | SEE SHEET 1 |

| REV. NO. | DATE | DESCRIPTION |
|----------|------|-------------|
| 1        | -    | SEE SHEET 1 |

| REV. NO. | DATE | DESCRIPTION |
|----------|------|-------------|
| 1        | -    | SEE SHEET 1 |

THIS DRAWING IS A CONTROLLED DOCUMENT.

STC  
TE Connectivity Ltd.

PLUG CONNECTOR KIT, ARINC 404,  
DUAL INSERT

DATE CODE: 213441  
DRAWING NO: 00779

SCALE: 2:1 SHEET: 2 OF 2

THIS DRAWING IS A CONTROLLED DOCUMENT.

STC  
TE Connectivity Ltd.

PLUG CONNECTOR KIT, ARINC 404,  
DUAL INSERT

DATE CODE: 213441  
DRAWING NO: 00779

SCALE: 2:1 SHEET: 2 OF 2