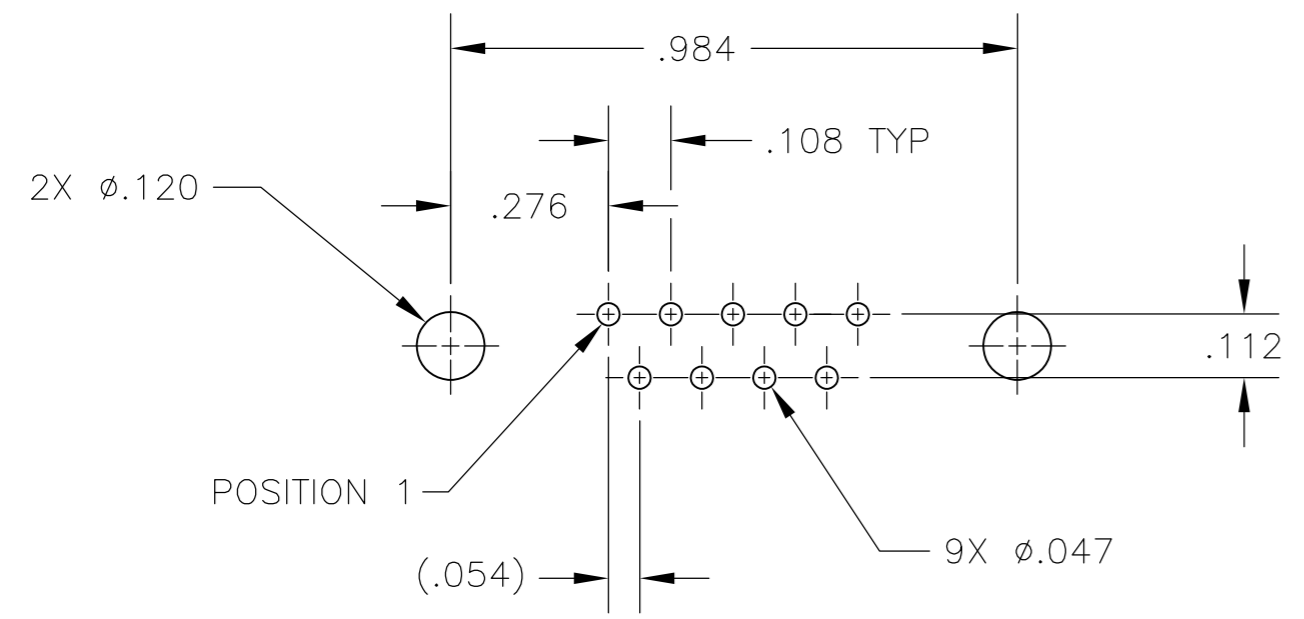
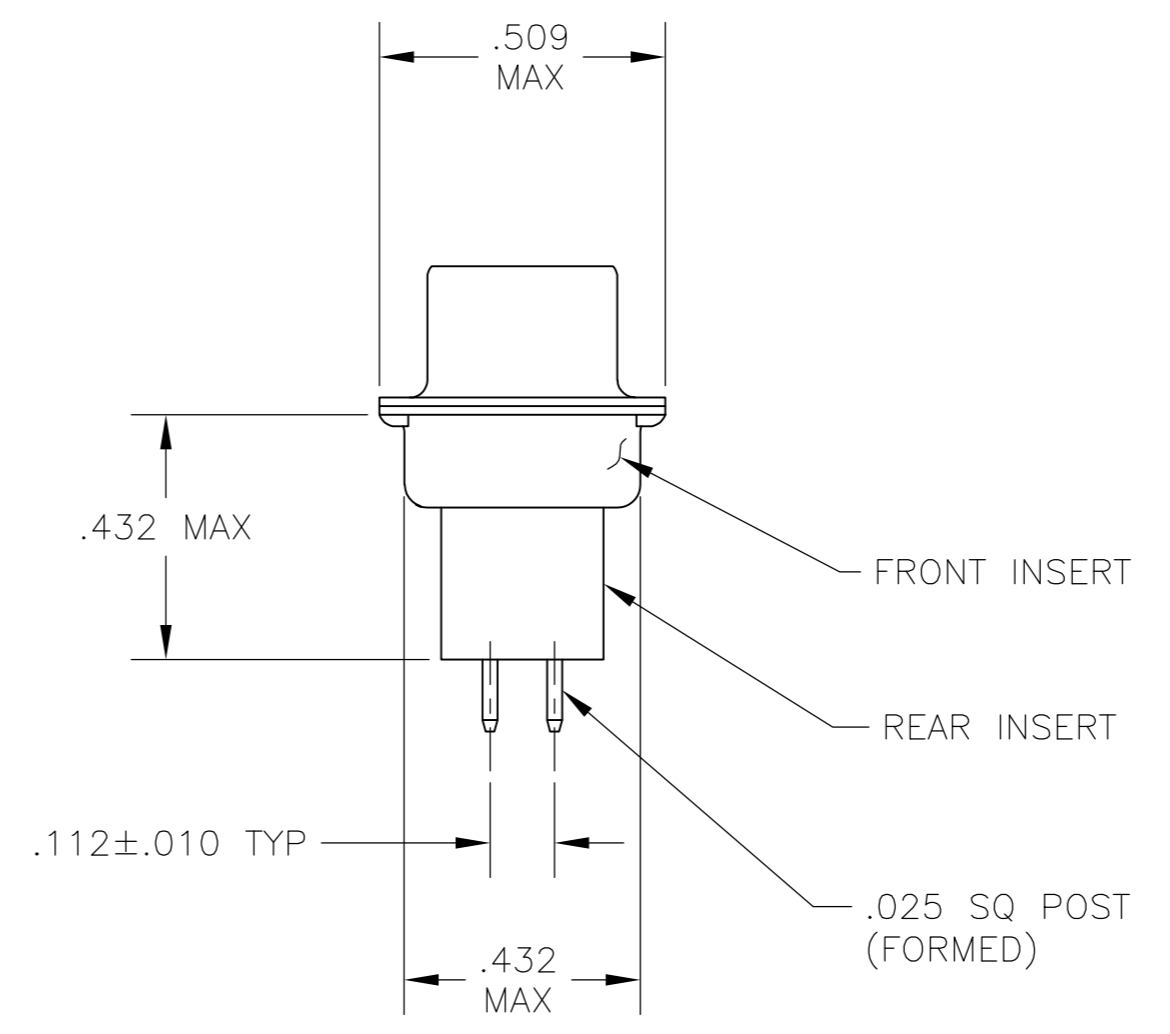
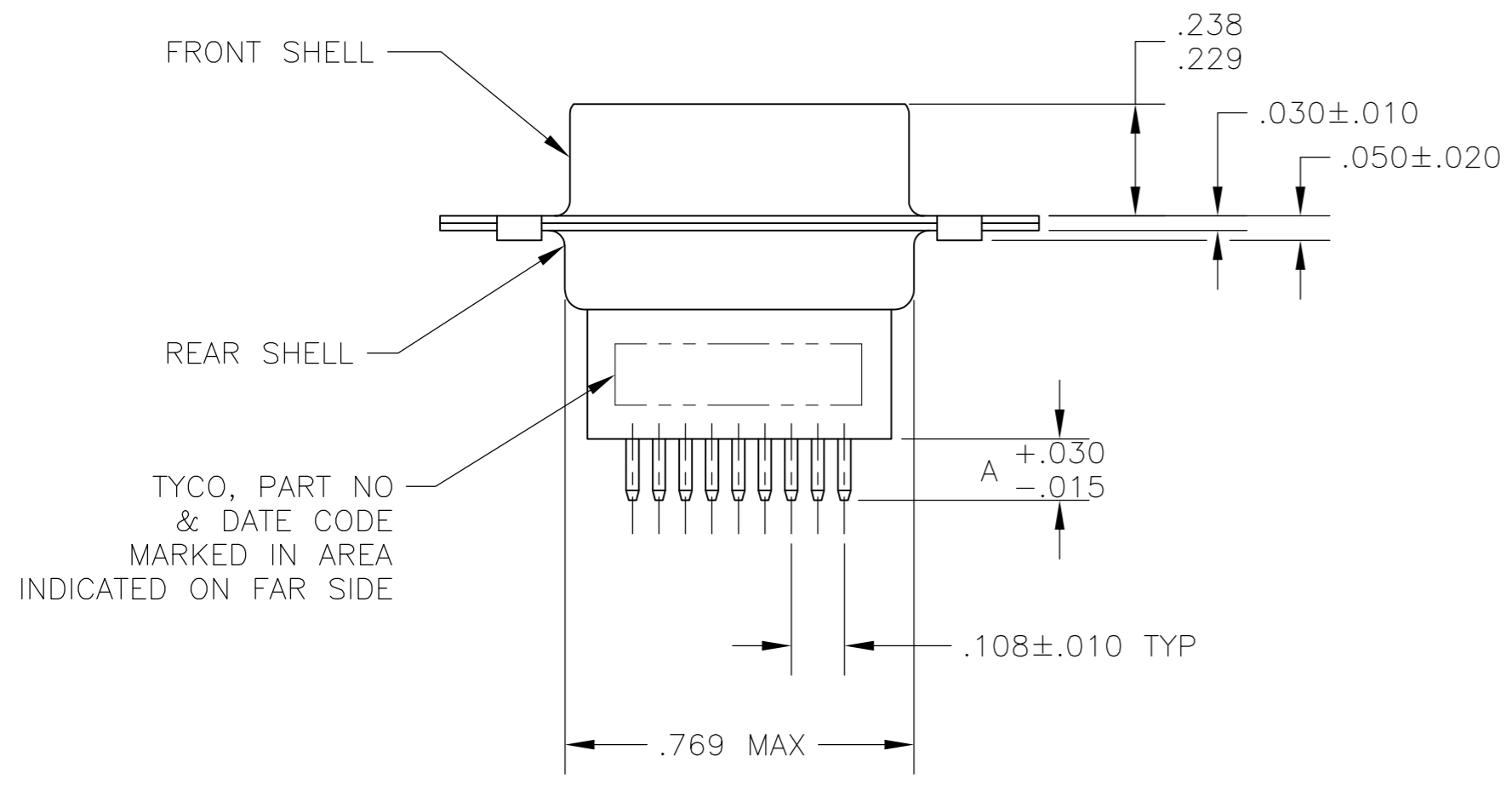
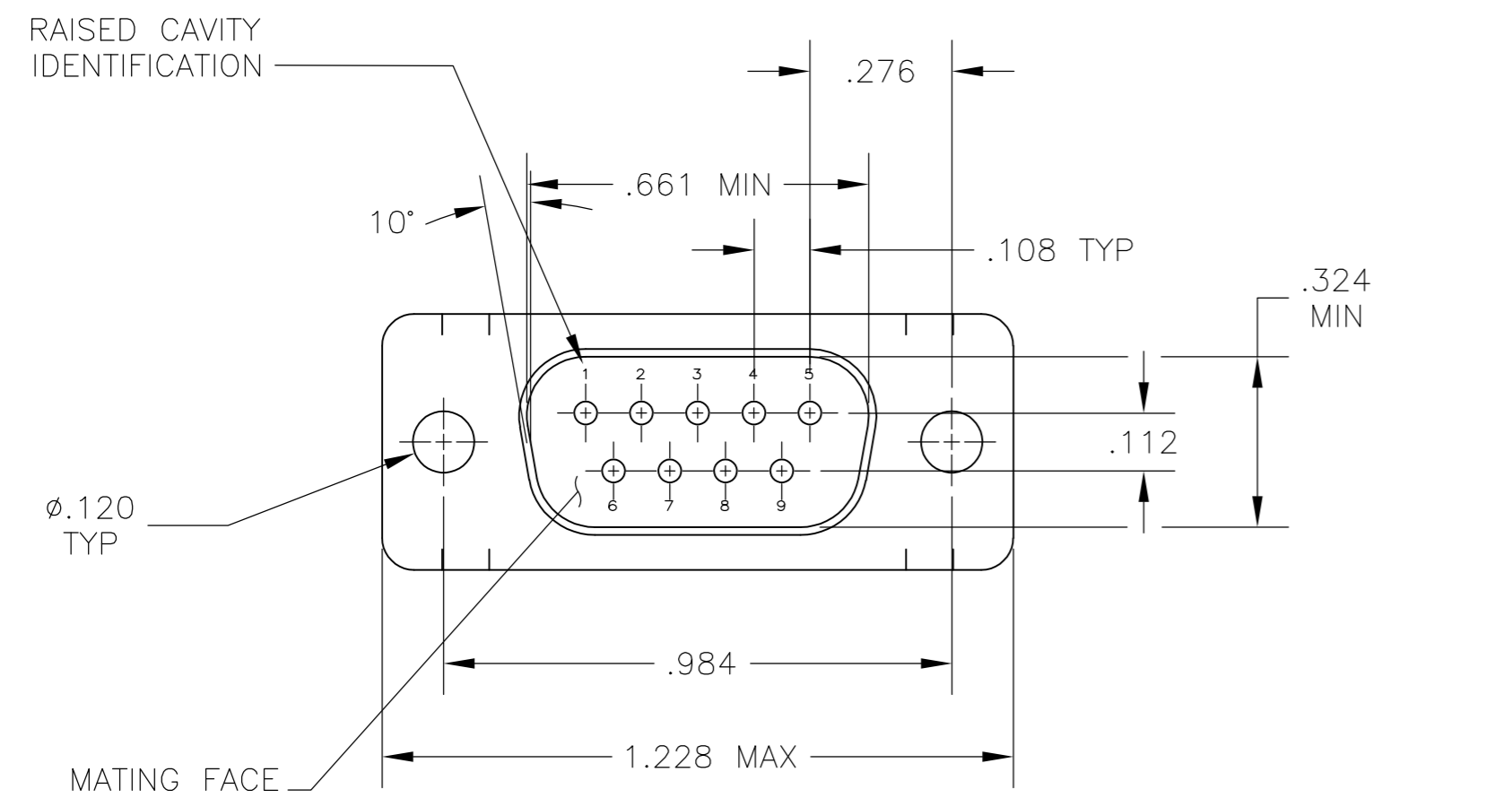


THIS DRAWING IS UNPUBLISHED. RELEASED FOR PUBLICATION
 © COPYRIGHT 2005 By - ALL RIGHTS RESERVED.

LOC		DIST		REVISIONS			
P	LTR	DESCRIPTION	DATE	DWN	APVD		
GP	00						
	D	REVISED PER ECO-14-011808	09AUG2014	AP	SB		

- 1 MOLDED PARTS: GLASS-FILLED PBT OR GLASS-FILLED NYLON, UL94V-0 RATED.
 COLOR: BLACK
 SHELLS: CARBON STEEL
 CONTACTS: BRASS
- 2 SHELLS: .000200 MIN ZINC WITH YELLOW CHROMATE COATING.
 CONTACTS: GOLD PLATED FOR LENGTH OF .150 MIN FROM MATING END,
 .000030 MIN GOLD IN MATED AREA,
 .000100 MIN TIN ON SOLDER END, BOTH OVER
 .000050 MIN NICKEL.
 OR
 GOLD FLASH OVER PALLADIUM-NICKEL PLATED FOR LENGTH OF
 .150 MIN FROM MATING END,
 .000030 MIN TOTAL IN MATED AREA,
 .000100 MIN TIN ON SOLDER END, BOTH OVER
 .000050 MIN NICKEL.



PC BOARD MOUNTING DIMENSIONS

.188	5205733-7
.125	5205733-1
A	PART NO

THIS DRAWING IS A CONTROLLED DOCUMENT.		DWN	B. LATTUCA	02SEPT05	 TE Connectivity	NAME		PLUG ASSEMBLY, SIZE 1, 9 POSN, VERTICAL	
DIMENSIONS:		CHK	S. BOLASH	02SEPT05		PRODUCT SPEC		108-40025	
INCHES		APVD	M. WALMSLEY	02SEPT05		APPLICATION SPEC		114-40013	
TOLERANCES UNLESS OTHERWISE SPECIFIED:						SIZE	CAGE CODE	DRAWING NO	RESTRICTED TO
0 PLC	± -					A2	00779	C=5205733	-
1 PLC	± -					SCALE		SHEET 1 of 1	
2 PLC	± -					CUSTOMER DRAWING		REV D	
3 PLC	± .005								
4 PLC	± -								
ANGLES	± -								
FINISH	± -								

5205733