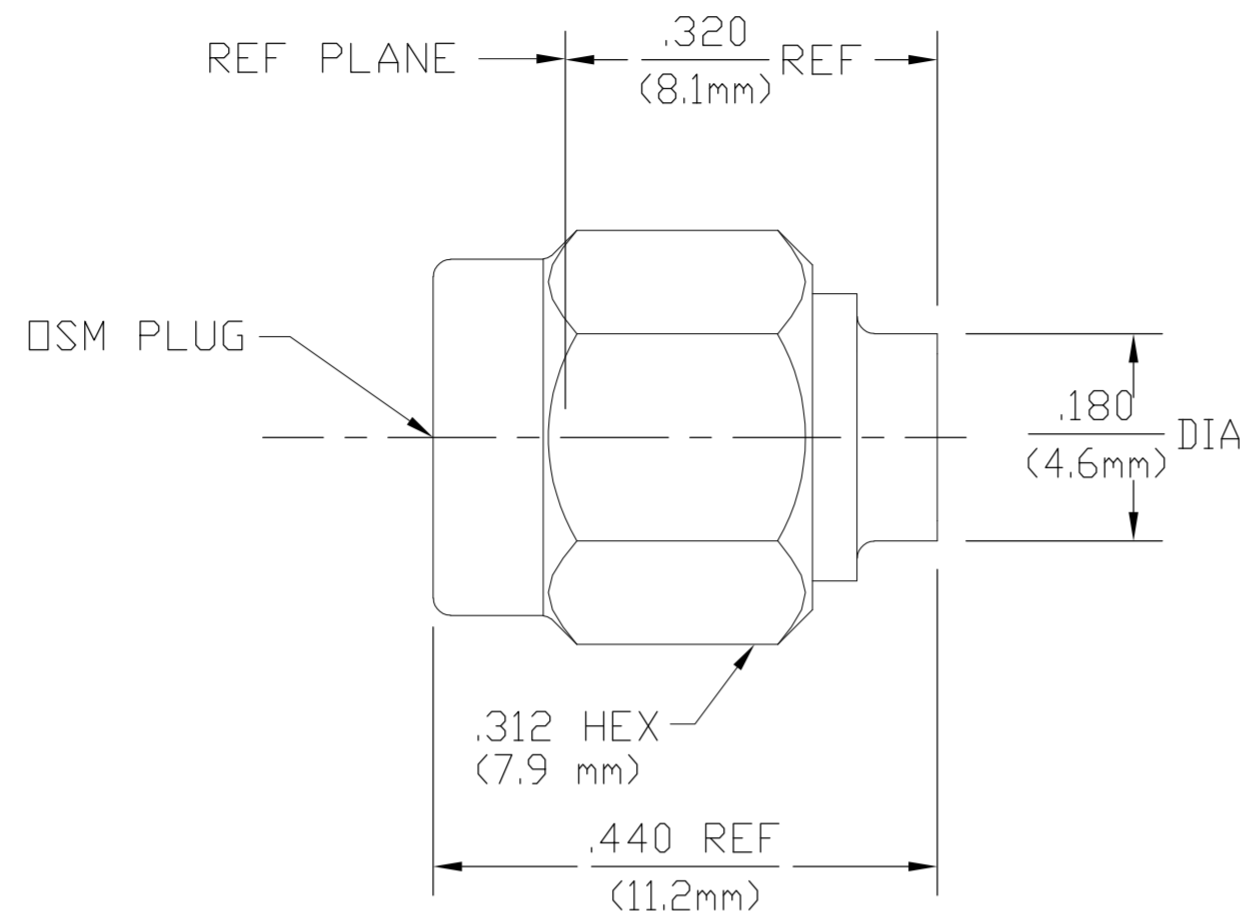


THIS DRAWING IS UNPUBLISHED. RELEASED FOR PUBLICATION
 © COPYRIGHT BY TYCO ELECTRONICS CORPORATION. ALL INTERNATIONAL RIGHTS RESERVED.

DESIGNED FOR USE WITH
 .141 DIA S.R. CABLE
 CABLE ENTRY DIAMETER
 MINIMUM

CONTACT	.039
HOUSING	.144

REVISONS		DATE	DWN	APVD
P	LTR			
B		03-14-07	DW	KW
C		02-24-09	AEG	JKO



- ① BRASS
- ② STAINLESS STEEL
- ③ BERYLLIUM COPPER
- ④ PTFE
- ⑤ GOLD PLATE
- ⑥ PASSIVATED
- ⑦ SILICONE RUBBER
- ⑧ NICKEL PLATE

ELECTRICAL	MECHANICAL	ENVIRONMENTAL
Nominal Impedance (Ohms) <u>50</u>	Interface Dimensions MIL-STD-348A, Fig. <u>310.1</u>	TEMPERATURE RATING <u>-65°C TO 125°C</u>
Frequency Range (GHz) DC <u>to 18.0</u>	Recommended Mating Torque <u>7 to 10 in-LBs</u>	Vibration MIL-STD-202, Method 204, Condition D
Volt Rating (VRMS MAX) @ Sea Level <u>500</u>	Mating Characteristics: Insertion (MAX Lbs) <u>N/A</u>	Shock MIL-STD-202, Method 213, Condition I
VSWR <u>1.05 + .008f(GHz)</u>	Withdrawal (MIN Oz) <u>N/A</u>	Thermal Shock MIL-STD-202, Method 107, Condition B, EXCEPT HIGH TEMP <u>115°C</u>
Insertion Loss (dB MAX) <u>.03 √f(GHz)</u>	Force to Engage and Disengage (In/Lbs MAX) <u>2.0</u>	Moisture Resistance MIL-STD-202, Method 106
RF Leakage (dB MIN) <u>-(90-f(GHz))</u>	Center Contact Captivation Axial (Lbs) <u>N/A</u>	Corrosion - MIL-STD-202, Method 101, Condition B, 5% salt spray
Dielectric Withstanding Voltage (VRMS MIN) @ Sea Level <u>1500</u>	Radial (In/Oz) <u>N/A</u>	
Contact Resistance (Milliohms MAX) Center Contact <u>3.0</u>	Cable Retention Axial Force (Lbs) <u>60</u>	
Outer Contact <u>2.0</u>	Torque (In/Oz) <u>55</u>	
Cable to Housing <u>0.5</u>	Weight (Grams) <u>T.B.D.</u>	
RF High Potential @ Sea Level (VRMS MIN @ 5 MHz) <u>1000</u>		
I.R.(Megohms MIN) <u>5,000</u>		

③	① ⑤	⑦	① ⑤	④	③ ⑤	1050524-3
③	② ⑤	⑦	② ⑤	④	③ ⑤	1050524-1
RETAINING RING	HOUSING	GASKET	COUPLING NUT	DIELECTRIC	CONTACT	TE PN

THIS DRAWING IS A CONTROLLED DOCUMENT.		DWN JPD 7/13/76	Tyco Electronics Corporation Harrisburg, PA 17105-3608			
DIMENSIONS: INCHES		CHK RNF 9/7/76	NAME OSM STARIGHT CABLE PLUG DIRECT SOLDER ATTACHMENT			
TOLERANCES UNLESS OTHERWISE SPECIFIED:		APVD RNF 9/13/76	SIZE A2	CAGE CODE 00779	DRAWING NO C=1050524	RESTRICTED TO
0 PLC ± -	1 PLC ± -	PRODUCT SPEC -	WEIGHT -	SCALE 6:1	SHEET 1 of 1	REV C
2 PLC ± -	3 PLC ± .005	APPLICATION SPEC -	CUSTOMER DRAWING			
4 PLC ± -	ANGLES ± 1°	FINISH -				