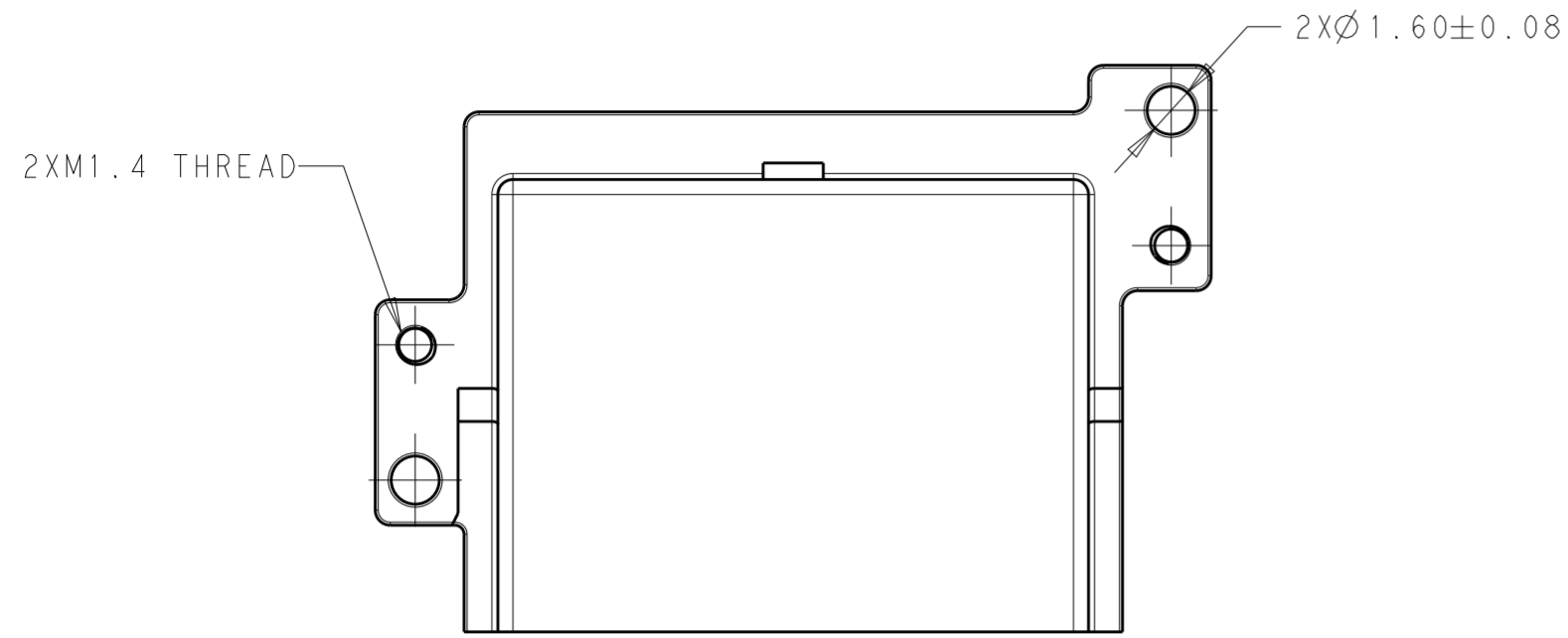
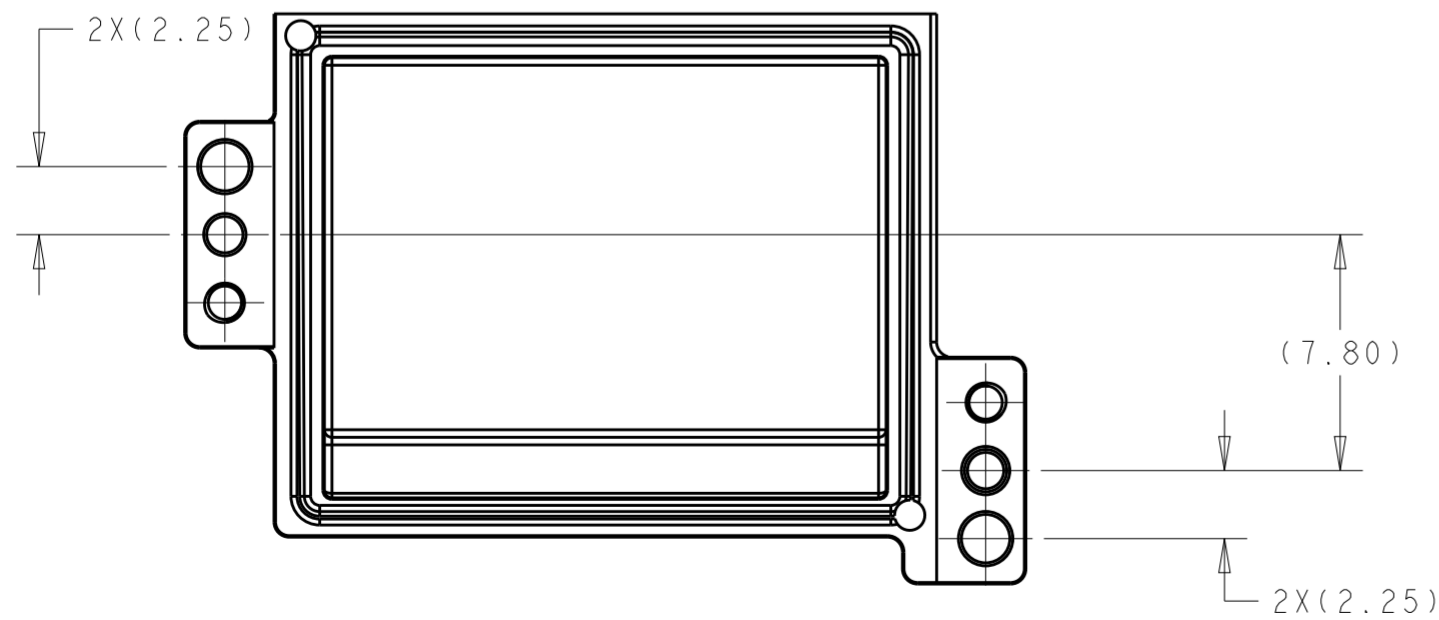
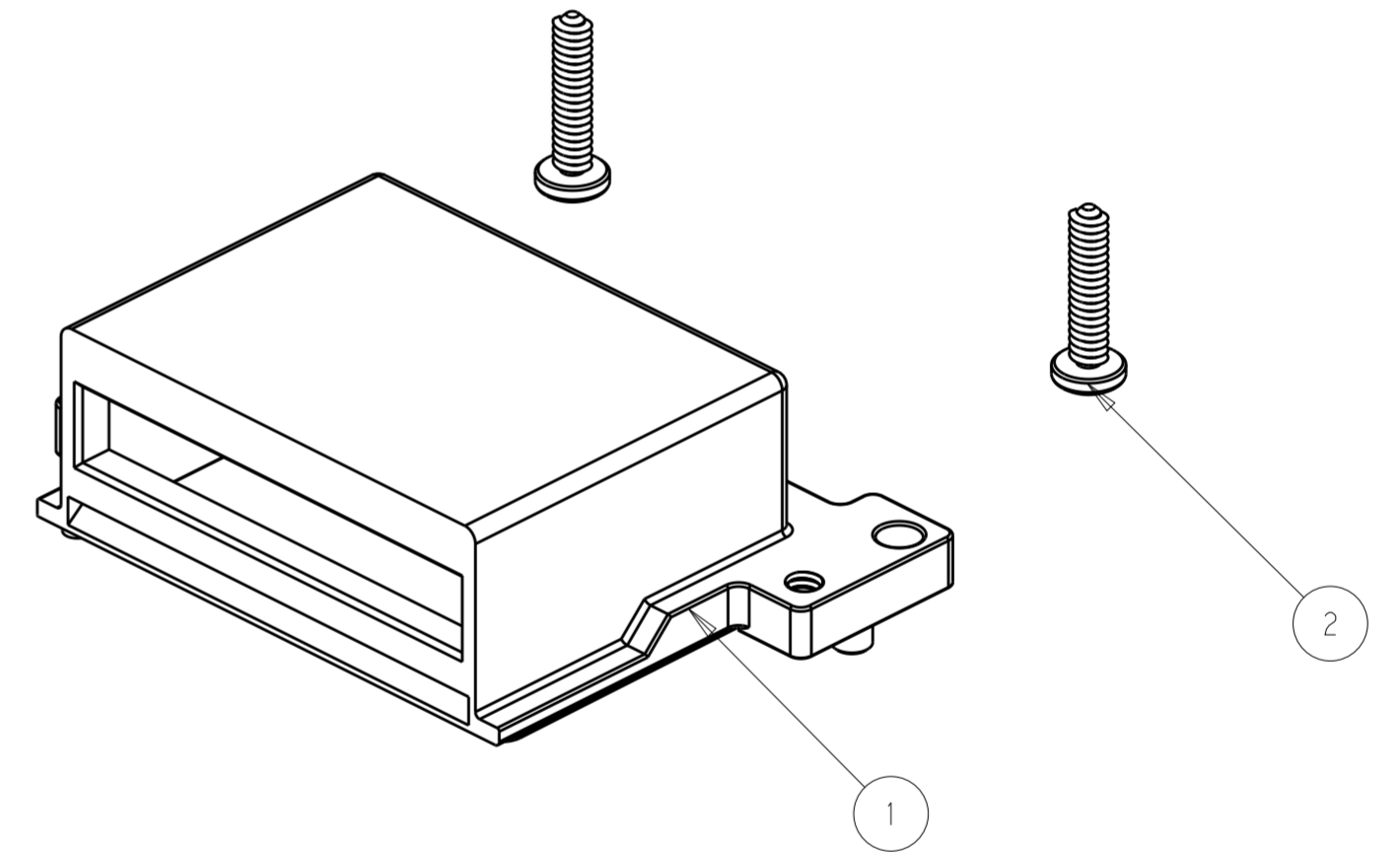
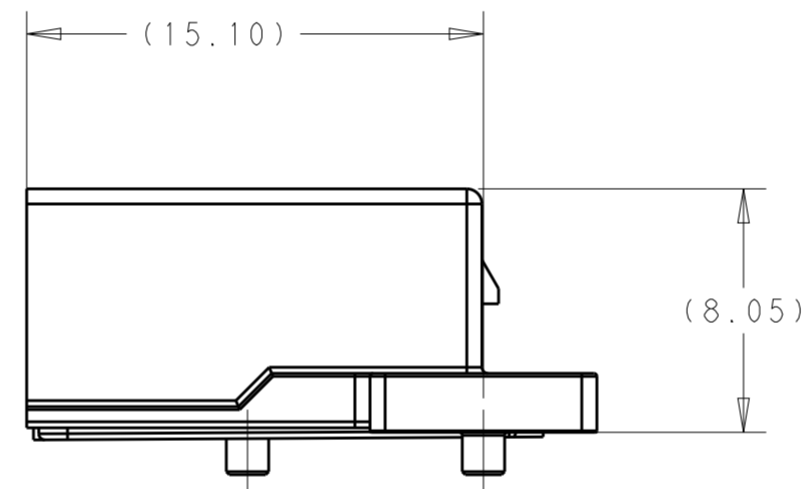
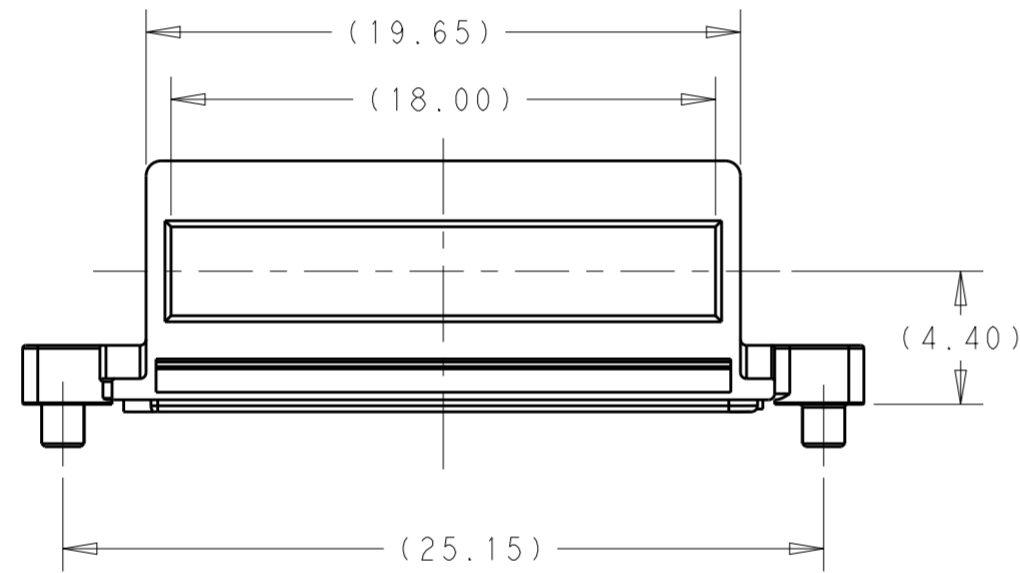


THIS DRAWING IS UNPUBLISHED. RELEASED FOR PUBLICATION 20  
 © COPYRIGHT 20 BY - ALL RIGHTS RESERVED.

REVISIONS				
P	LTR	DESCRIPTION	DATE	APVD
1		PRELIMINARY DRAWING	24MAY2016	AD SH



- 1.MATERIAL:RECEPTACLE COVER:ZNIC ALLOY  
GASKET: SILICON  
SCREW:STAINLESS STEEL
- 2.PLATING: RECEPTACLE COVER:1.27um MIN. NICKEL OVER COPPER PLATING
- 3.MATES WITH MSA COMPLIANT TRANSCEIVERS.
- 4.PACKAGED AS SEPARATED KITS IN ONE BOX .



THIS PRINT IS  
**PRELIMINARY**  
 UNQUALIFIED PRODUCT  
 CONTACT PRODUCT ENGINEERING  
 BEFORE USING THIS PRINT

2	2292789-1	M1.4X6 SCREW	2
1	2288228-1	RECEPTACLE COVER WITH GASKET	1
-1	PART/MATERIAL	DESCRIPTION	ITEM

DIMENSIONS:		TOLERANCES UNLESS OTHERWISE SPECIFIED:		DWN		24MAY2016			
mm		0 PLC	±	ANDY.XIE	24MAY2016	TE Connectivity			
		1 PLC	±0.25	CHK SEAN.HAN	24MAY2016				
		2 PLC	±0.15	APVD SEAN.HAN	24MAY2016				
		3 PLC	±0.10	PRODUCT SPEC					
		4 PLC	±	APPLICATION SPEC		NAME RECEPTACLE COVER WITH SCREW CFP4 1X1			
		ANGLES	±	WEIGHT		SIZE	CAGE CODE	DRAWING NO	RESTRICTED TO
		FINISH				A2	-	©-2304455	-
MATERIAL	-			CUSTOMER DRAWING		SCALE	1:1	SHEET	OF
								1	1
								REV	1