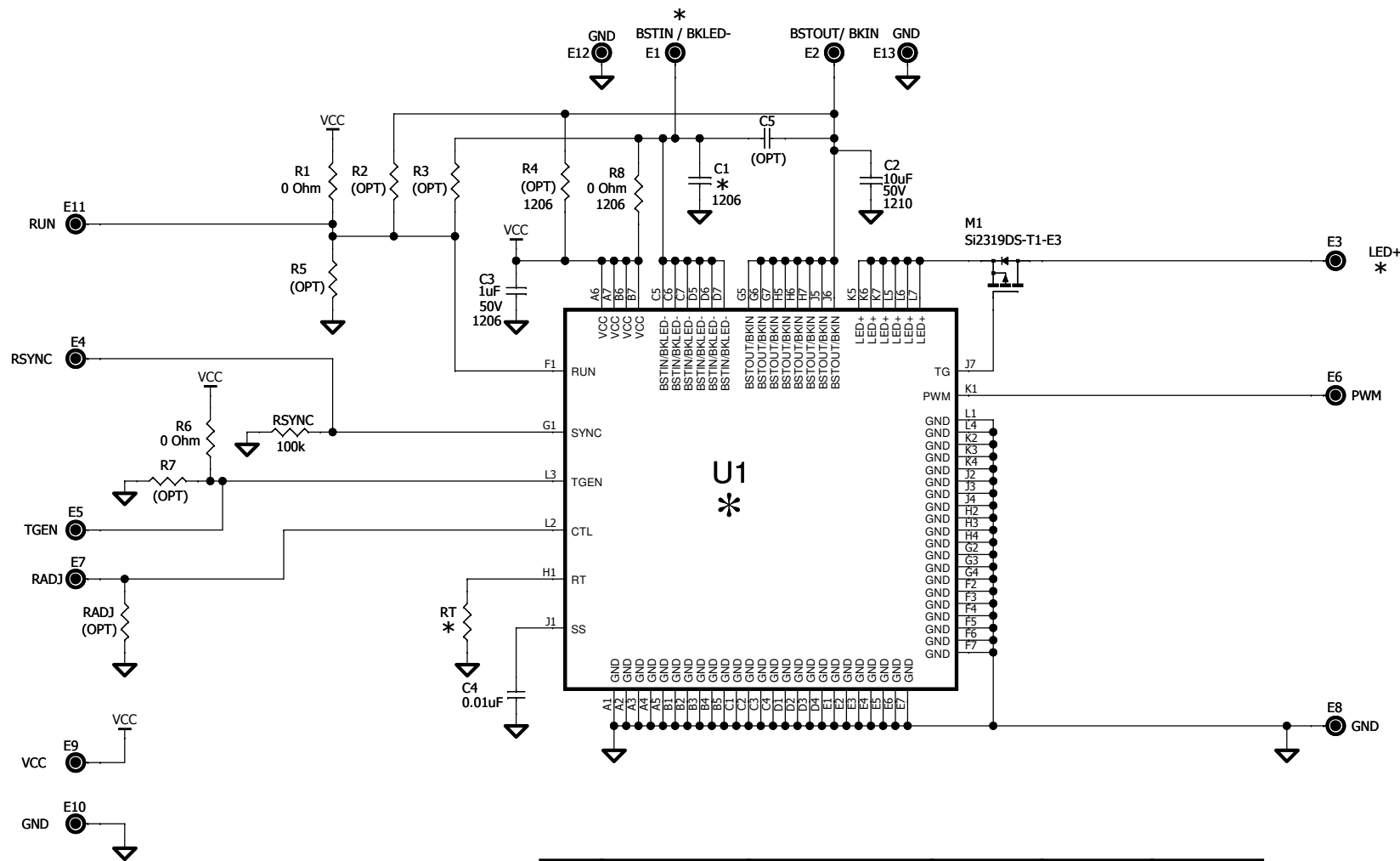


REVISION HISTORY				
ECO	REV	DESCRIPTION	APPROVED	DATE
-	2	PRODUCTION	KEITH S.	05-12-10



* ASSY	U1	BSTIN / BKLED-	ILED	RT	C1
-A	LTM8042EV	SEE QUICK START GUIDE FOR INPUT RANGE	1A	30.1k	4.7uF
-B	LTM8042EV-1		350mA	16.9k	2.2uF

NOTES: UNLESS OTHERWISE SPECIFIED.
 1. ALL RESISTORS ARE IN OHMS, 0603.
 2. ALL CAPACITORS ARE IN MICROFARAD, 0603.

CUSTOMER NOTICE		APPROVALS		LINEAR TECHNOLOGY		
LINEAR TECHNOLOGY HAS MADE A BEST EFFORT TO DESIGN A CIRCUIT THAT MEETS CUSTOMER-SUPPLIED SPECIFICATIONS; HOWEVER, IT REMAINS THE CUSTOMER'S RESPONSIBILITY TO VERIFY PROPER AND RELIABLE OPERATION IN THE ACTUAL APPLICATION. COMPONENT SUBSTITUTION AND PRINTED CIRCUIT BOARD LAYOUT MAY SIGNIFICANTLY AFFECT CIRCUIT PERFORMANCE OR RELIABILITY. CONTACT LINEAR TECHNOLOGY APPLICATIONS ENGINEERING FOR ASSISTANCE.		PCB DES.	RB	1630 McCarthy Blvd. Milpitas, CA 95035 www.linear.com Phone: (408)432-1900 Fax: (408)434-0507 LTC CONFIDENTIAL - FOR CUSTOMER USE ONLY		
THIS CIRCUIT IS PROPRIETARY TO LINEAR TECHNOLOGY AND SUPPLIED FOR USE WITH LINEAR TECHNOLOGY PARTS.		APP ENG.	KEITH S.			
				TITLE: SCHEMATIC		
				1A/350mA μ MODULE LED DRIVER		
		SCALE = NONE		SIZE N/A	IC NO. LTM8042EV/LTM8042EV-1	REV. 3
				DATE: Friday, October 08, 2010	SHEET 1 OF 1	