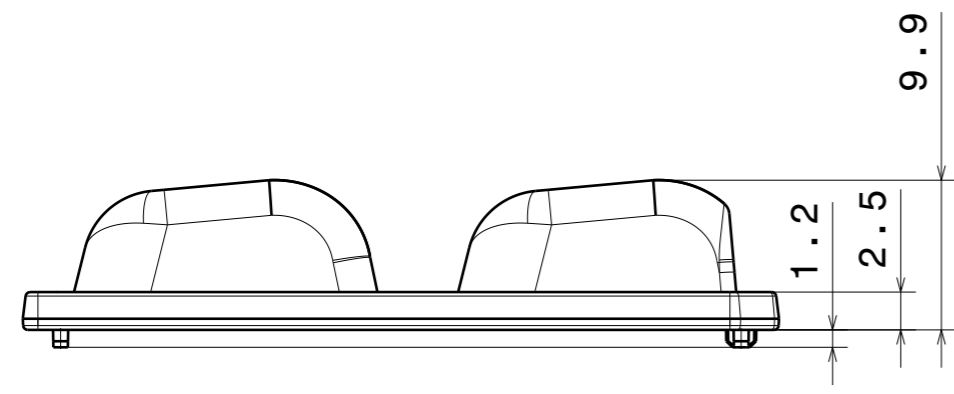
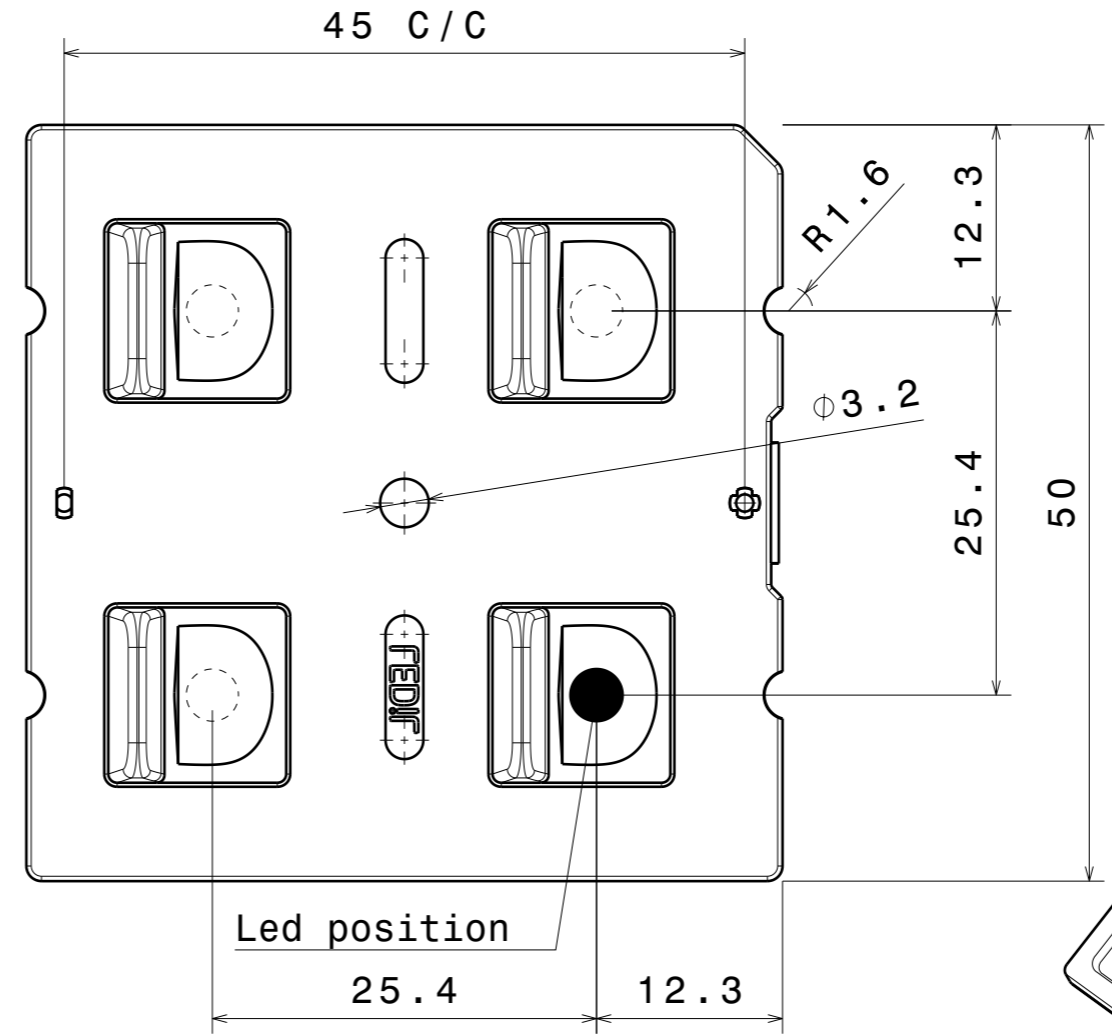


H G F E D C B A

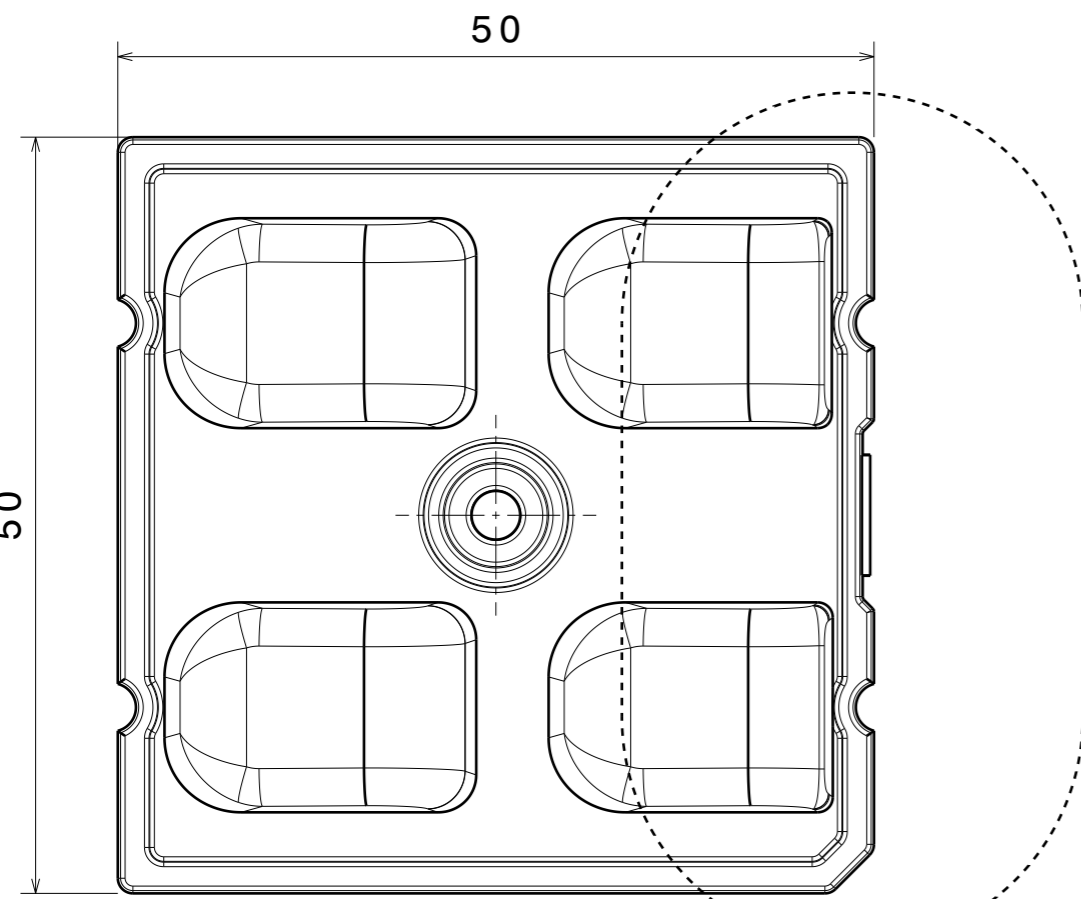
4 3 2 1



Front view

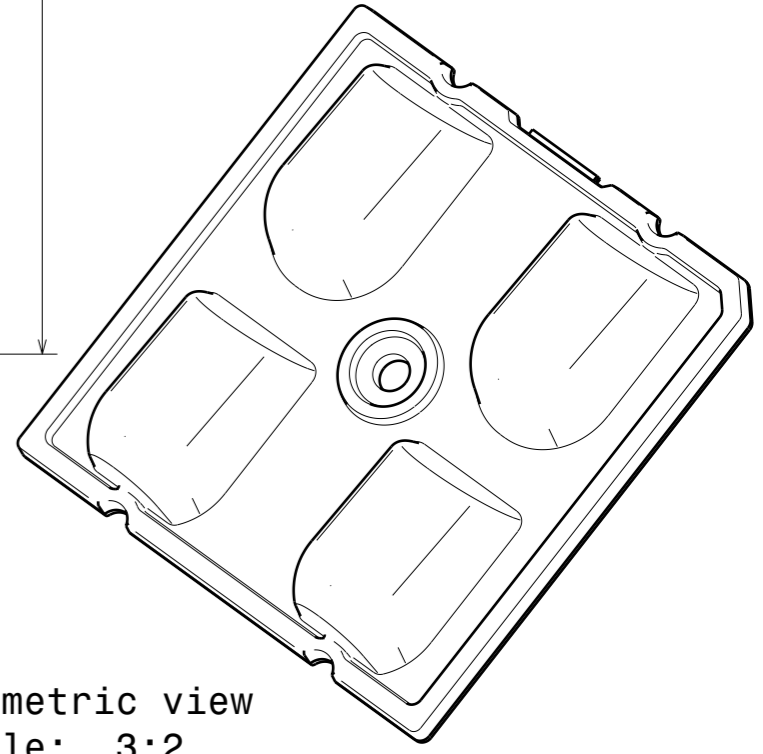


Bottom view



Top view

Beam direction



Isometric view
Scale: 3:2

INDEX	PART NO	DESCRIPTION	MATERIAL	COLOUR
1	C13604	STRADA-2X2-FN	PMMA	

Tolerances if not otherwise shown
According to DIN ISO 2768-1
Linear measures:
Up to 30mm class M, otherwise class C.
According to DIN ISO 2768-2
Form and position: class L

LEDiL Ledil Oy
Salorankatu 10
FIN 24240 SALO
Finland

THIRD ANGLE PROJECTION:

DRAWING TITLE
C13604_STRADA-2X2-FN

This drawing is the property of LEDiL Oy. It may not be reproduced, copied or communicated without a written agreement with LEDiL Oy."

SIZE	PART NUMBER		
A3	C13604		

SCALE	2:1	WEIGHT	-	SHEET	1/1
-------	-----	--------	---	-------	-----

H G F E D C B A