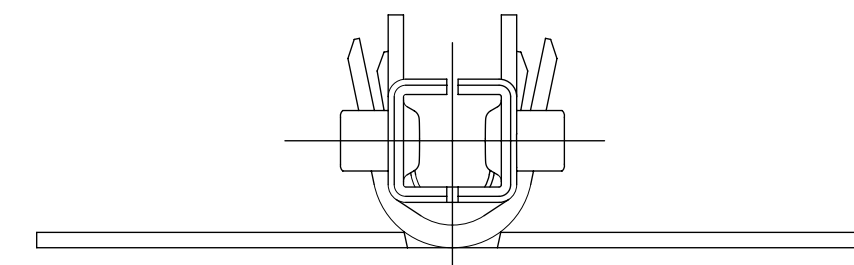


# PART LEGEND

172718- \* \* \* \*

|                                 |                             |
|---------------------------------|-----------------------------|
| <b>SERIES</b>                   | <b>FORM</b>                 |
| <b>WIRE GAGE (INS OD RANGE)</b> | 1 = CHAIN/UNLUBED           |
| 1 = 16 (Ø1.98-2.55)             | 2 = LOOSE/UNLUBED           |
| 2 = 16 (Ø2.55-3.14)             | 3 = CHAIN/LUBED             |
| 3 = 18-20 (Ø1.42-2.10)          | 4 = LOOSE/UNLUBED           |
| 4 = 18-20 (Ø2.10-2.85)          | <b>MATERIAL</b>             |
| 5 = 22-24 (Ø1.07-1.65)          | 1 = PHOS BRONZE             |
| 6 = 22-24 (Ø1.65-2.38)          | 2 = BRASS                   |
|                                 | <b>PLATING</b>              |
|                                 | 1 = HOT TIN DIP (PRE-PLATE) |



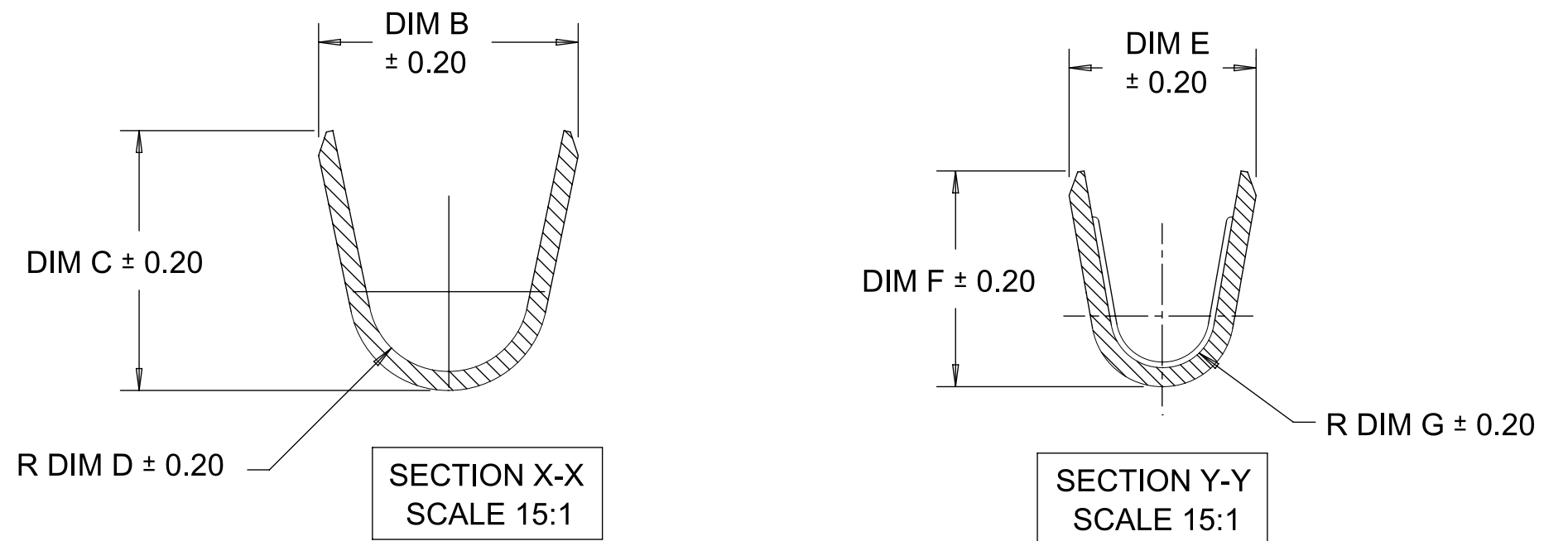
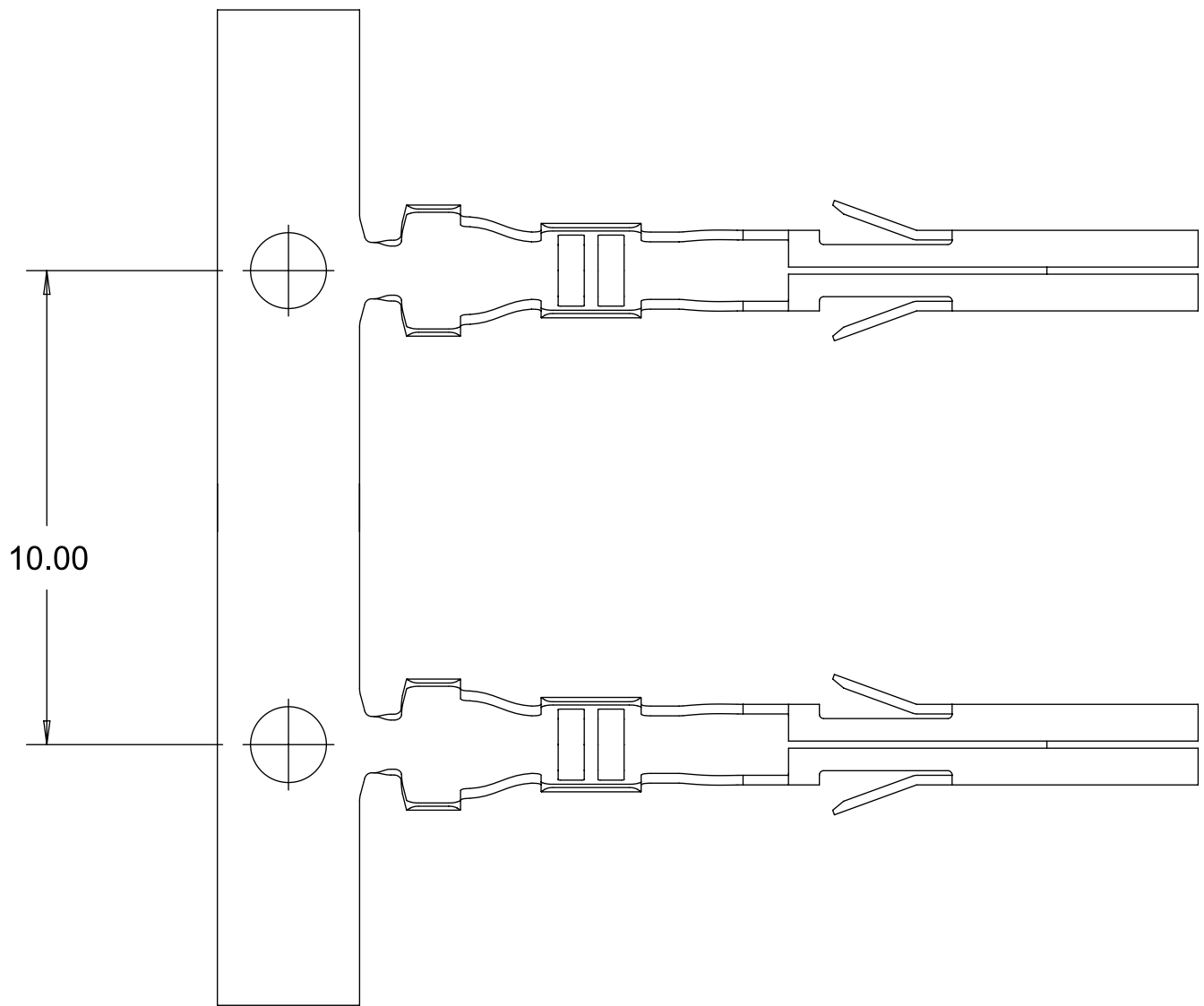
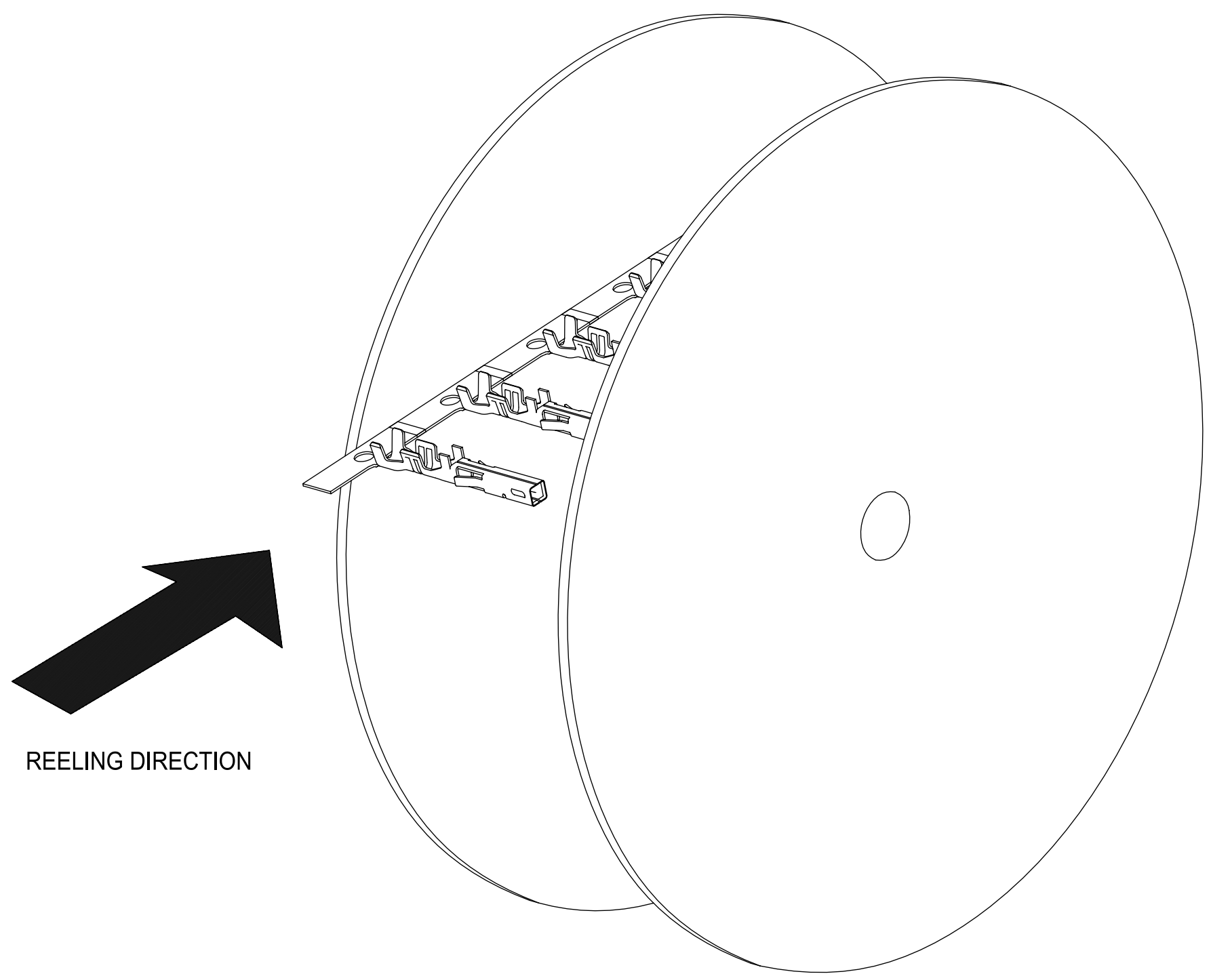
**NOTES:**

- MATERIALS:**  
PHOS BRONZE ALLOY  
BRASS ALLOY
- PRE-PLATED: HOT TIN DIP, OVERALL 2.5 m MIN. TIN.
- PRODUCT SPECIFICATION: PS-172718-0000  
APPLICATION SPECIFICATION: AS-172718-0000
- THIS TERMINAL TO BE USED WITH HOUSING SERIES 172708.
- THIS TERMINAL MATES WITH MALE CRIMP TERMINAL SERIES 5558, 46012 & 172765.
- THIS TERMINAL MATES WITH HEADER SERIES 5566 & 5569.
- PACKAGING: REELS TO BE PACKED PER PK-172718-0000  
LOOSE TERMINALS PER PK-172718-0001.
- PART CONFORMS TO CLASS 'B' REQUIREMENTS OF COSMETIC SPEC PS-45499-002.
- WHEN TERMINALS ARE INSTALLED IN THE HOUSING THE WIRE ARE TO BE DRESSED IN SUCH A MANNER TO ALLOW THE TERMINALS TO FLOAT FREELY IN THE HOUSING POCKET.
- THIS TERMINALS IS DESIGNED FOR SINGLE WIRE CRIMPING.
- LUBRICANT ADDED TO CONTACT INTERFACE

THIS DRAWING CONTAINS INFORMATION THAT IS PROPRIETARY TO MOLEX ELECTRONIC TECHNOLOGIES, LLC AND SHOULD NOT BE USED WITHOUT WRITTEN PERMISSION

|  |       |                        |  |                 |  |              |          |          |
|--|-------|------------------------|--|-----------------|--|--------------|----------|----------|
| DIMENSION UNITS  | SCALE | CURRENT REV DESC:      | <b>molex</b>   |                 |  |              |          |          |
| mm   | NTS   |                        |  |                 |  |              |          |          |
| GENERAL TOLERANCES (UNLESS SPECIFIED)                      |       |                        | CRIMP TERMINAL<br>RECEPTACLE MINI-FIT TPA2 AND SIGMA |                 |  |              |          |          |
| ANGULAR TOL  | ± °   | EC NO: 746659          | PRODUCT CUSTOMER DRAWING                             |                 |  |              |          |          |
| 4 PLACES   | ±     | DRWN: JERRYW8          | 2023/04/19   | DOCUMENT NUMBER |  | DOC TYPE     | DOC PART | REVISION |
| 3 PLACES   | ±     | CHK'D: XQZHANG         | 2023/04/21   | SD-172718-0000  |  | PSD          | 000      | D7       |
| 2 PLACES   | ± 0.2 | APPR: XQZHANG          | 2023/04/21   | MATERIAL NUMBER |  | CUSTOMER     |          |          |
| 1 PLACE  | ± 0.2 | INITIAL REVISION:      | 2014/09/09   | SERIES          |  | SHEET NUMBER |          |          |
| 0 PLACES   | ±     | DRWN: TGREGORI         | 2014/09/24   | 172718          |  | 1 OF 2       |          |          |
| DRAFT WHERE APPLICABLE<br>MUST REMAIN<br>WITHIN DIMENSIONS |       | THIRD ANGLE PROJECTION | DRAWING  | GENERAL MARKET  |  |              |          |          |
|  |       |                        | C-SIZE   |                 |  |              |          |          |

|             | MOLEX PART NUMBER | BASE MAT'L  | WIRE AWG  | COMBINATIO N WIRE AWG | WIRE OD RANGE | DIM B     | DIM C | DIM D | DIM E | DIM F | DIM G |      |
|-------------|-------------------|-------------|-----------|-----------------------|---------------|-----------|-------|-------|-------|-------|-------|------|
| CHAIN       | 172718-1111       | PHOS BOONZE | 16        | NA                    | 1.98-2.55     | 3.27      | 3.43  | 1.00  | 2.35  | 2.90  | 0.70  |      |
|             | 172718-2111       |             |           | NA                    | 2.55-3.14     | 3.74      | 3.66  | 1.43  |       |       |       |      |
|             | 172718-3111       |             | 18-20     | NA                    | 1.42-2.10     | 2.77      | 2.77  | 0.85  | 2.00  | 2.30  | 0.55  |      |
|             | 172718-4111       |             |           | 22+22 AWG             | 2.10-2.85     | 3.36      | 3.37  | 1.25  |       |       |       |      |
|             | 172718-5111       |             | 22-24     | NA                    | 1.07-1.65     | 2.33      | 2.27  | 0.70  | 1.68  | 1.65  | 0.40  |      |
|             | 172718-6111       | NA          |           | 1.65-2.38             | 3.14          | 3.09      | 1.00  |       |       |       |       |      |
|             | LOOSE             | 172718-1121 | BRASS     | 16                    | NA            | 1.98-2.55 | 3.27  | 3.43  | 1.00  | 2.35  | 2.90  | 0.70 |
|             |                   | 172718-2121 |           |                       | NA            | 2.55-3.14 | 3.74  | 3.66  | 1.43  |       |       |      |
|             |                   | 172718-3121 |           | 18-20                 | NA            | 1.42-2.10 | 2.77  | 2.77  | 0.85  | 2.00  | 2.30  | 0.55 |
|             |                   | 172718-4121 |           |                       | 22+22 AWG     | 2.10-2.85 | 3.36  | 3.37  | 1.25  |       |       |      |
| 172718-5121 |                   | 22-24       |           | NA                    | 1.07-1.65     | 2.33      | 2.27  | 0.70  | 1.68  | 1.65  | 0.40  |      |
| 172718-5123 |                   |             | NA        | 1.07-1.65             | 2.33          | 2.27      | 0.70  |       |       |       |       |      |
| 172718-6121 |                   | PHOS BRONZE | 16        | NA                    | 1.98-2.55     | 3.27      | 3.43  | 1.00  | 2.35  | 2.90  | 0.70  |      |
| 172718-1112 |                   |             |           | NA                    | 2.55-3.14     | 3.74      | 3.66  | 1.43  |       |       |       |      |
| 172718-2112 |                   |             | 18-20     | NA                    | 1.42-2.10     | 2.77      | 2.77  | 0.85  | 2.00  | 2.30  | 0.55  |      |
| 172718-4112 |                   |             |           | NA                    | 2.10-2.85     | 3.36      | 3.37  | 1.25  |       |       |       |      |
| 172718-5112 | 22-24             |             | NA        | 1.07-1.65             | 2.33          | 2.27      | 0.70  | 1.68  | 1.65  | 0.40  |       |      |
| 172718-6112 |                   | NA          | 1.65-2.38 | 3.14                  | 3.09          | 1.00      |       |       |       |       |       |      |
| LOOSE       | 172718-1122       | BRASS       | 16        | NA                    | 1.98-2.55     | 3.27      | 3.43  | 1.00  | 2.35  | 2.90  | 0.70  |      |
|             | 172718-2122       |             |           | NA                    | 2.55-3.14     | 3.74      | 3.66  | 1.43  |       |       |       |      |
|             | 172718-3122       |             | 18-20     | NA                    | 1.42-2.10     | 2.77      | 2.77  | 0.85  | 2.00  | 2.30  | 0.55  |      |
|             | 172718-4122       |             |           | NA                    | 2.10-2.85     | 3.36      | 3.37  | 1.25  |       |       |       |      |
|             | 172718-5122       |             | 22-24     | NA                    | 1.07-1.65     | 2.33      | 2.27  | 0.70  | 1.68  | 1.65  | 0.40  |      |
| 172718-6122 | NA                | 1.65-2.38   |           | 3.14                  | 3.09          | 1.00      |       |       |       |       |       |      |



|   |  |       |  |                           |  |                 |  |   |  |  |  |
|---|--|-------|--|---------------------------|--|-----------------|--|---|--|--|--|
| THIS DRAWING CONTAINS INFORMATION THAT IS PROPRIETARY TO MOLEX ELECTRONIC TECHNOLOGIES, LLC AND SHOULD NOT BE USED WITHOUT WRITTEN PERMISSION |  |       |  |                           |  |                 |  |   |  |  |  |
| DIMENSION UNITS   |  | SCALE |  | CURRENT REV DESC:         |  |                 |  |   |  |  |  |
| mm  |  | NTS   |  |                           |  |                 |  |   |  |  |  |
| GENERAL TOLERANCES (UNLESS SPECIFIED)   |  |       |  | EC NO: 746659             |  |                 |  | <b>CRIMP TERMINAL<br/>RECEPTACLE MINI-FIT TPA2 AND SIGMA</b>                          |  |  |  |
| ANGULAR TOL ± °   |  |       |  | DRWN: JERRYW8 2023/04/19  |  |                 |  |   |  |  |  |
| 4 PLACES ±  |  |       |  | CHK'D: XQZHANG 2023/04/21 |  |                 |  | <b>PRODUCT CUSTOMER DRAWING</b>   |  |  |  |
| 3 PLACES ±  |  |       |  | APPR: XQZHANG 2023/04/21  |  |                 |  |   |  |  |  |
| 2 PLACES ± 0.2  |  |       |  | INITIAL REVISION:         |  |                 |  | DOCUMENT NUMBER: <b>SD-172718-0000</b>   DOC TYPE: PSD   DOC PART: 000   REVISION: D7 |  |  |  |
| 1 PLACE ± 0.2   |  |       |  | DRWN: TGREGORI 2014/09/09 |  |                 |  |   |  |  |  |
| 0 PLACES ±  |  |       |  | APPR: TGREGORI 2014/09/24 |  |                 |  | MATERIAL NUMBER:   CUSTOMER: GENERAL MARKET   SHEET NUMBER: 2 OF 2                    |  |  |  |
| DRAFT WHERE APPLICABLE MUST REMAIN WITHIN DIMENSIONS  |  |       |  | THIRD ANGLE PROJECTION    |  | DRAWING: C-SIZE |  |   |  |  |  |