

Ratings

Voltage: 300 V
 Temperature: -25 ~ 80 °C
 Flammability: VW-1

Conductor

Conductor count: 2
 Gauge: 24 AWG 0.22 mm²
 Material: bare copper strands
 Strand size: Ø 0.16 mm x 11
 Resistance at 20 °C: 87.5 Ω /km max

Insulator

Material: PVC
 Color: white, black, red
 Diameter: Ø 1 ±0.08 mm
 Nominal thickness: 0.18 mm
 Resistance at 20 °C: 10 MΩ /km max

Shield

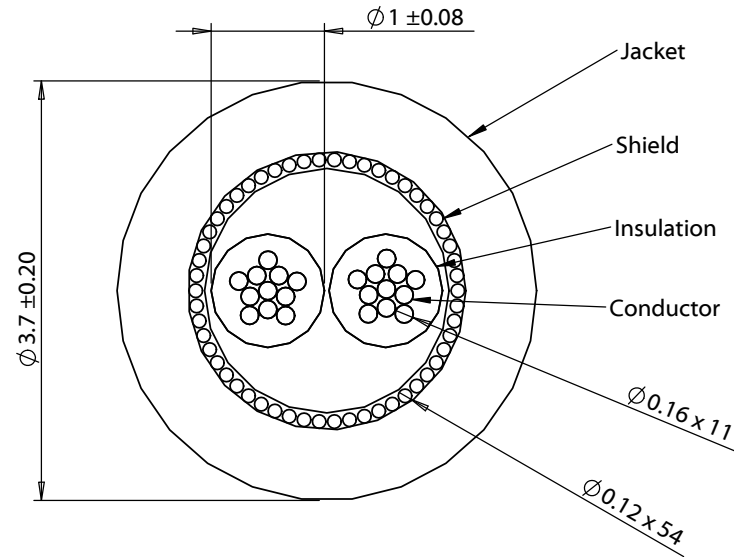
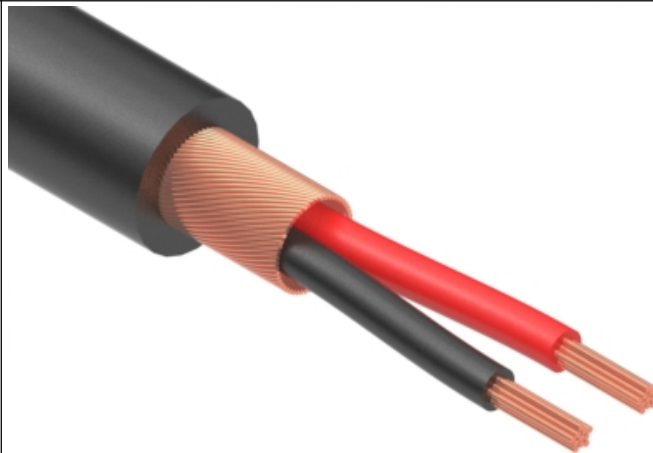
Type: spiral
 Material: bare copper strands
 Stranding: Ø 0.12 x 54
 Coverage: 90% minimum

Outer jacket

Material: PVC
 Color: black
 Diameter: Ø 3.7 ±0.20 mm
 Nominal thickness: 0.73 mm

Tests

Insulation tensile strength: 2.11 kgf/mm²
 Jacket tensile strength: 1.05 kgf/mm²
 After aging at 113 ±2 °C for 7 days:
 Minimum tensile strength 70 % original
 Minimum elongation 65 % original
 Heat shock: 121 ±1 °C /1 hour, no observed degradation
 Deformation: 121 ±1 °C /1 hour, ≤ 50 %
 Cold bend: -10 ±2 °C /1 hour, no observed cracking



Revision:	Date:	Description:	Prepared:	Notes: RoHS and REACH compliant	TENSILITY tel 1.541.323.3228 800 877.670.7118 fax 1.541.323.4202 web tensility.com	
A	3/11/2011	Initial release	Verified:			Function test: no open, no short circuit, no intermittent
A1	4/20/2011	Updated part description	Dimensions are in millimeters. Tolerances: X: ± 0.5 mm X.X: ± 0.3 mm X.XX: ± 0.05 mm	Description: Wire, 2C BC, 24 AWG, 300V, 80C, 3.7 mm, shielded, PVC	Size:	Part number:
A2	8/13/2012	Added operating temperature			A	30-00005
A3	7/23/2018	Corrected jacket tolerance			Scale: 15:1	Sheet 1 of 1
A4	8/2/2018	Increased operating temperature range				

5

4

3

2

1